

8

7

6

5

4

SIZE DWG NO.

4.16-0.208-NEMA 1-CABLE

SH 1

REV. A

1

NOTES:

0. APPLICABLE DOCUMENTS AND STANDARDS

A. IEEE Std C57.12.01, IEC 60076-11.

1. MECHANICAL:

A. CONSTRUCTION:

ENCLOSURE IS NEMA 1 INDOOR KNOCK DOWN TYPE WITH REMOVABLE PANELS MADE OF COLD-ROLLED STEEL SHEET ATTACHED TO A STEEL BASE FRAME, AND THE BASE IS FINISHED WITH SPRAYING BLACK PAINT.

COILS: FIBER REINFORCED VACUUM CAST EPOXY RESIN WITH COPPER WINDINGS.

CORE: STEP LAPPED SILICA STEEL LAMINATION (EQUAL TO M5) WITH BLACK EPOXY PAINT COATING .

BUS WORK: TIN PLATED COPPER.

B. FINISH:

ENCLOSURE IS ELECTRO-STATIC POWDER PAINT, ANSI 61.

C. THE JUNCTION BOX (NEMA 12) INCLUDES TERMINALS AND TERMINAL BOARDS, AND CABLE ENTERS FROM THE BOTTOM OF THE TERMINAL BOX.

2. ELECTRICAL:

A. TRANSFORMER RATING (SEE SHEET 2).

3. ENVIRONMENTAL:

A. OPERATING

INDOOR

TEMPERATURE: DESIGN AMBIENT TEMPERATURE IS 30°C(86°F) AVG / 40°C(104°F) MAX.

ALTITUDE: 1000M (3300FEET) MAX

B. STORAGE

TEMPERATURE: -25°C(-13°F) TO 50°C(122°F)

HUMIDITY: 0% TO 75%

4. MISCL:

A.  : CENTER OF GRAVITY.

B. ALL INDICATORS AND GAUGES ARE DIMENSIONED IN BOTH ENGLISH AND METRIC UNITS, UNLESS OTHERWISE SPECIFIED, DIMENSION TOLERANCE IS ±3%.

C. 54" SPACE REQUIRED AROUND THE ENCLOSURE FOR VENTILATION AND MAINTENANCE.

THIS DRAWING IS FOR REFERENCE ONLY,
JINPAN RESERVE THE RIGHT TO ADJUST
PARAMETER IF NECESSARY.

REVISIONS				
REV.	ZONE	DESCRIPTION	DATE	APPROVED
A		INITIAL ISSUE	Sep 22, 2017	S.Yang

D

D

C

C

B

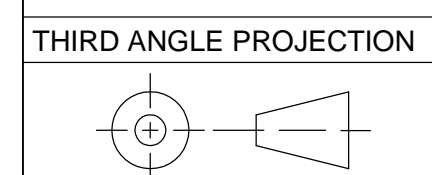
B

A

A

SIZE DWG NO. 4.16-0.208-NEMA 1-CABLE SH 1 REV. A

JINPAN INTERNATIONAL USA LIMITED		* 390 VETERANS BOULEVARD *	
		* CARLSTADT, NJ, 07072 *	
CAST COIL DRY-TYPE TRANSFORMER			
4.16 KV PRIMARY AND 0.208 KV SECONDARY			
OUTLINE DRAWING			
DWG NO: 4.16-0.208-NEMA 1-CABLE			
SIGNATURES		DATE	
DRAWN: R.Wang		Sep 22, 2017	SCALE: NONE
CHECKED: F.Chen		Sep 22, 2017	REV.: A
APPROVED: S.Yang		Sep 22, 2017	SHEET: 1 of 3



8

7

6

5

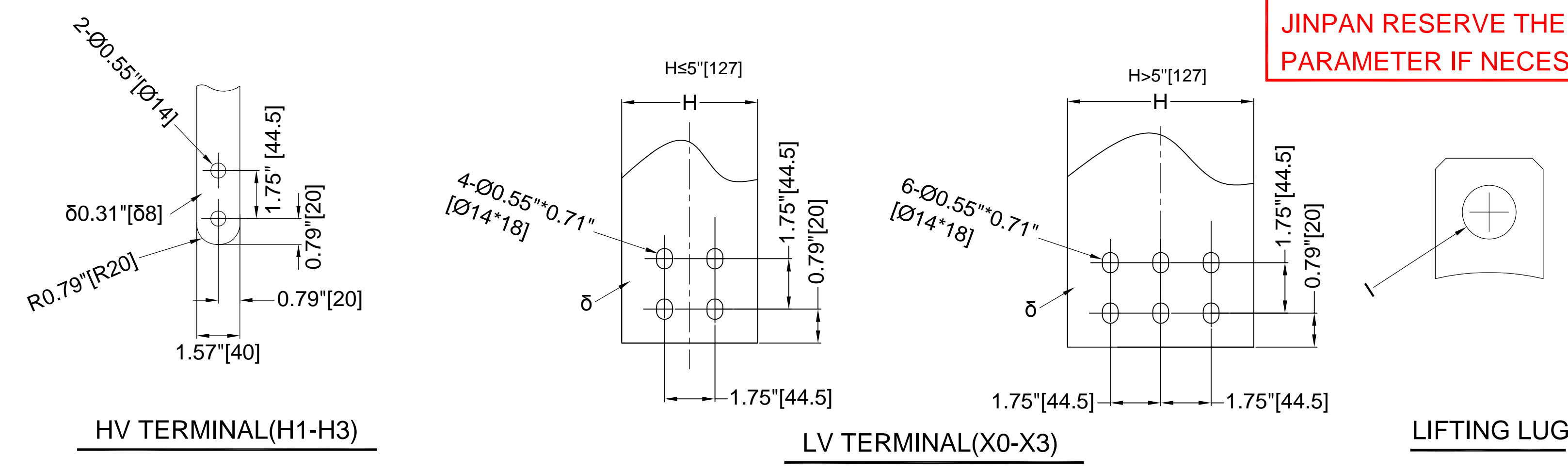
4

3

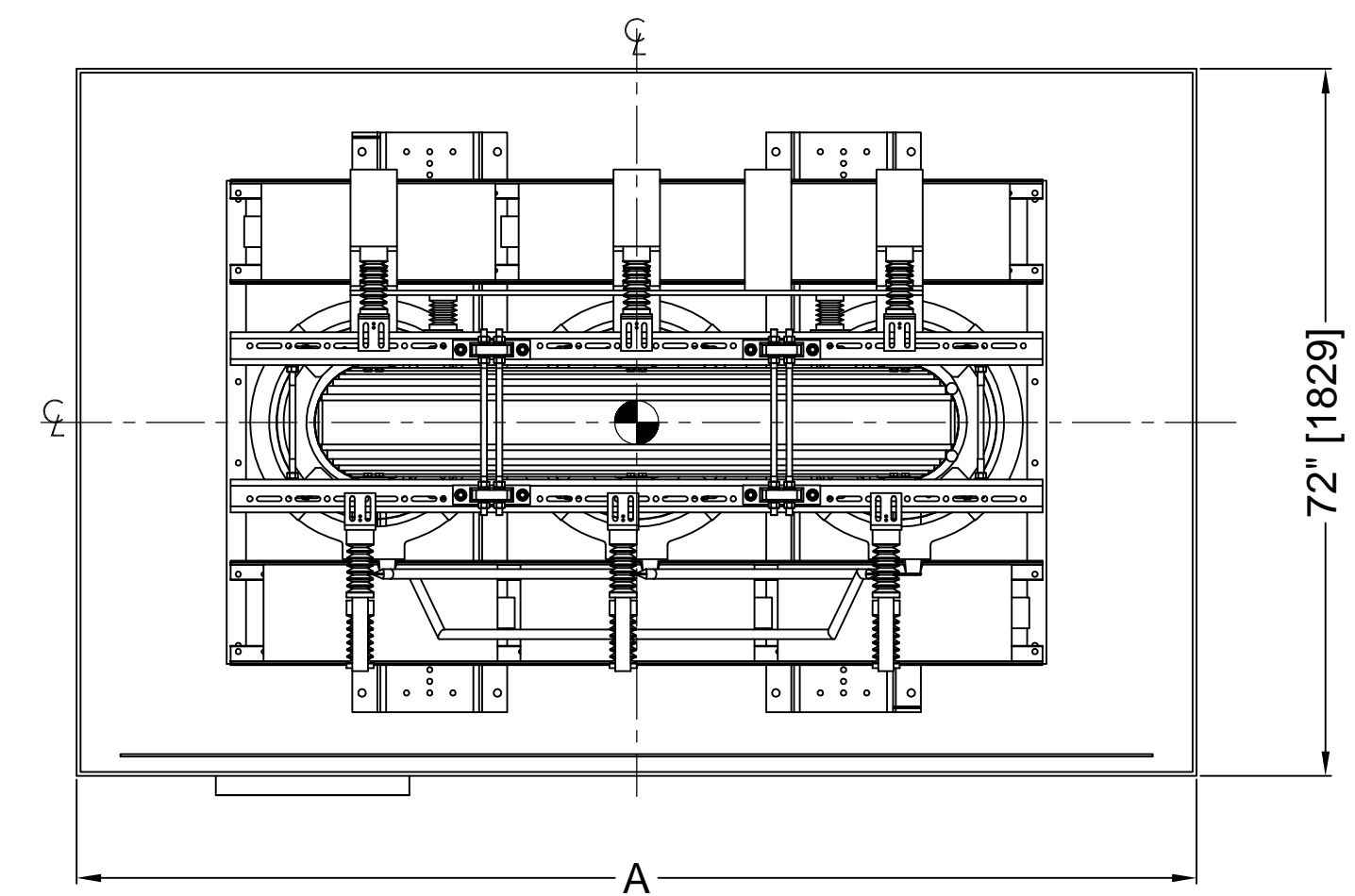
2

1

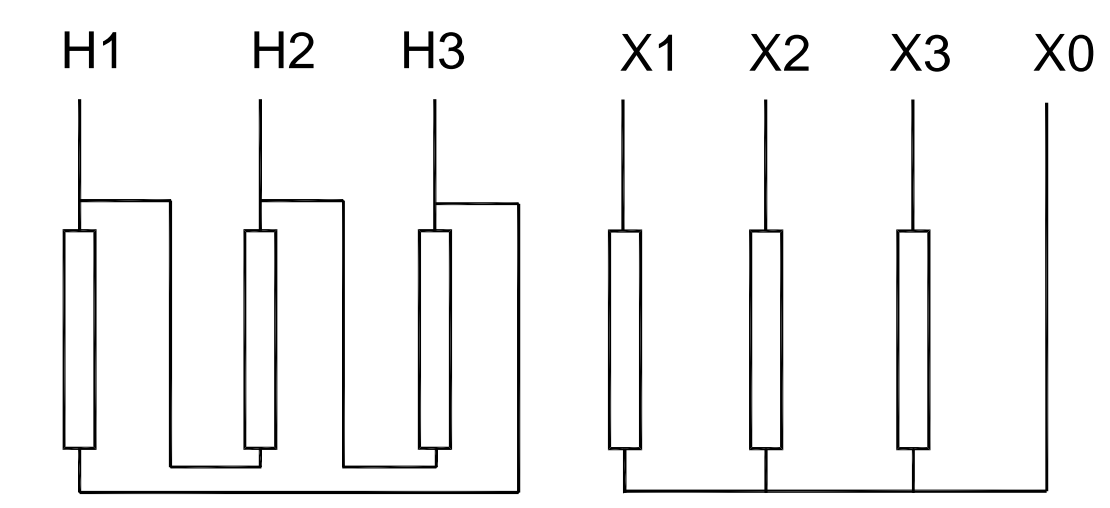
THIS DRAWING IS FOR REFERENCE ONLY,
JINPAN RESERVE THE RIGHT TO ADJUST
PARAMETER IF NECESSARY.



Rated (kVA)	Dimension(in/mm)											LBS/KG	
	A	B	C	D	E	F	G	H	δ	I	J	W1	W2
500/665	96	19.9	33	55	50	23.4	23.7	3.94	0.39	Ø1.97	38	4850/2200	6790/3080
1000/1330	96	24	40	71	68	24.4	24.7	5.91	0.47	Ø1.97	38	10250/4650	12190/5530
1500/1995	114	26	42	71	68	25.4	25.7	7.1	0.59	Ø1.97	47	12765/5790	14960/6785

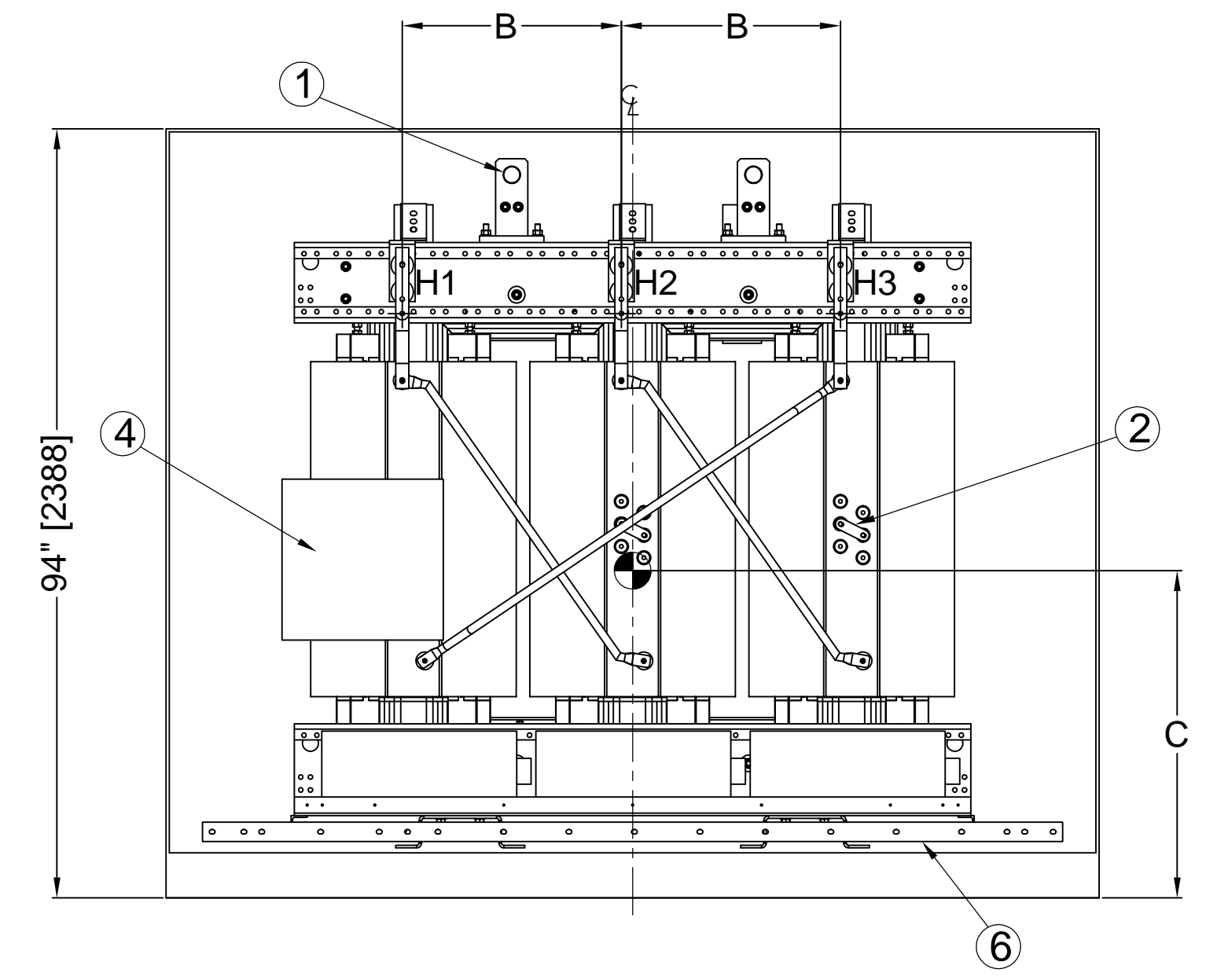


TOP PLAN VIEW

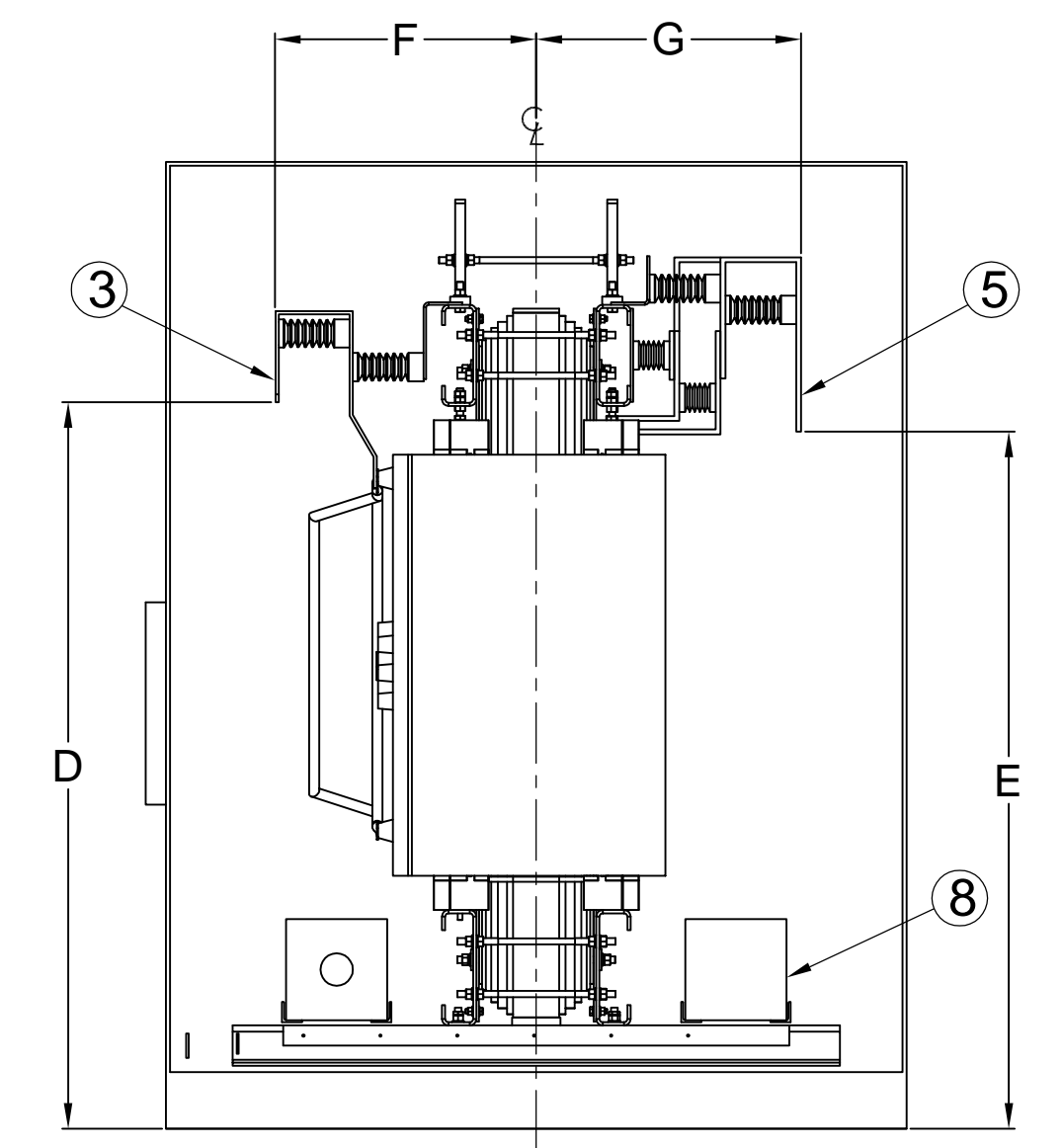


TAP	VOLTAGE	CONNECTIONS	FIGURE
A	4368	3 - 4	
B	4264	2 - 4	
C	4160	2 - 5	
D	4056	1 - 5	
E	3952	1 - 6	

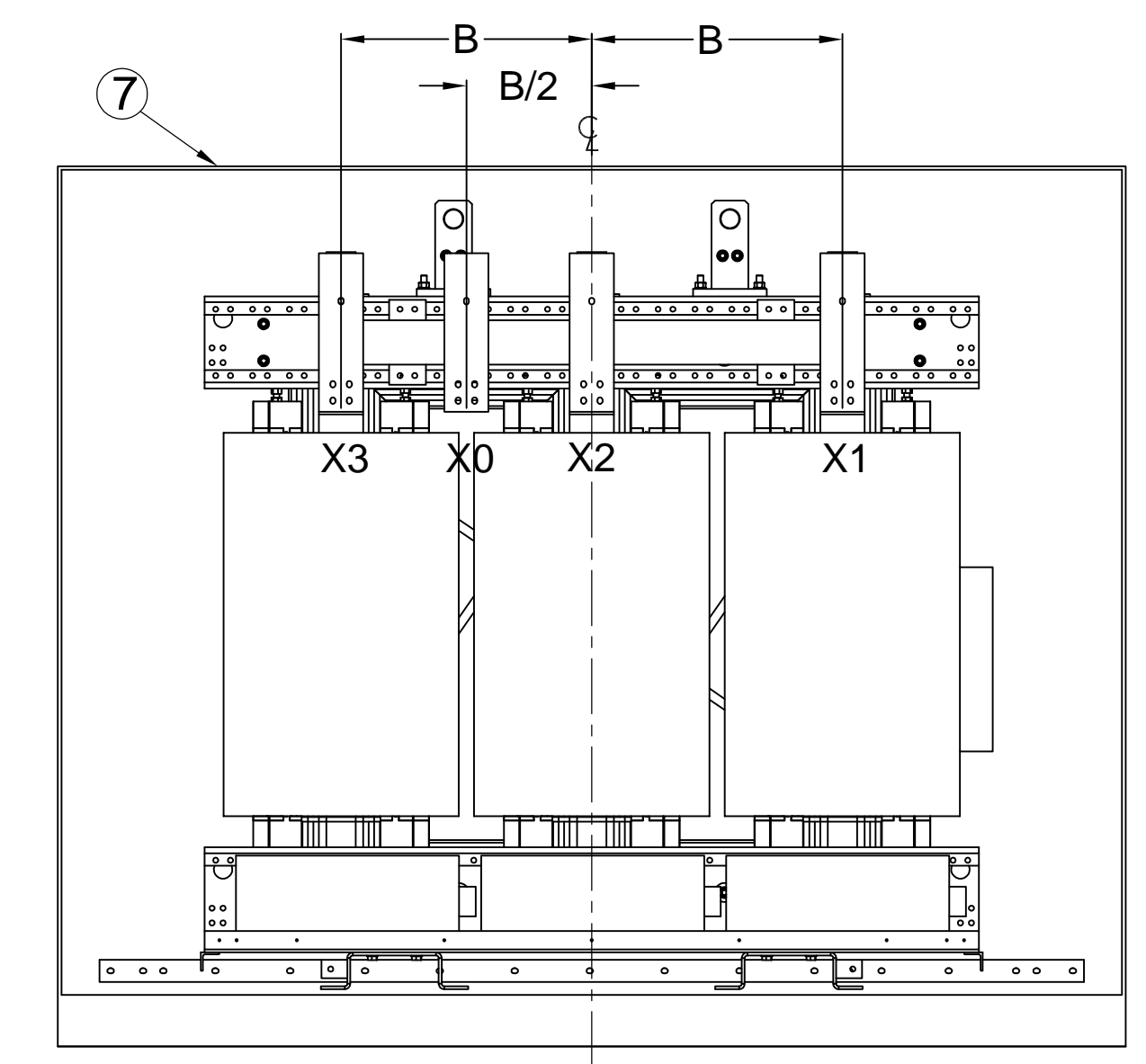
ITEM	QTY.	DESCRIPTION	REFERENCE
8	6	COOLING FAN	
7	1	ENCLOSURE	
6	1	GROUND BUS	
5	4	LV TERMINAL	
4	1	JUNCTION BOX (JB)	
3	3	HV TERMINAL	
2	3	HV TAPS	
1	4	LIFTING LUG	
			REFERENCE



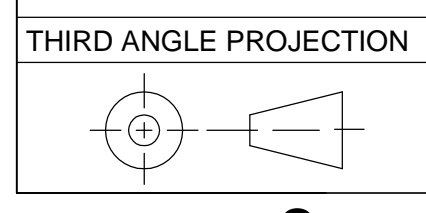
FRONT VIEW (HV TAPS)



RIGHT SIDE VIEW



REAR VIEW



STANDARD: IEEE Std C57.12.01, IEC 60076-11

KVA: Rated	COOLING CLASS: AA/FA
HV. 4160 V D	B.I.L. 60 kV 12 kV AC
LV. 208 V Y	B.I.L. 30 kV 4 kV AC
PHASE: 3	FREQUENCY: 60 Hz
INSULATION SYSTEM: 185°C(365°F)	TEMPERATURE RISE: 80°C(176°F)
HV TAPS: ±5%, 2.5% EACH STEP	
CONNECTION: Dyn1	
IMPEDANCE: 5.75% based on Rated kVA (Tolerance: +/-7.5%)	
APPROX. WEIGHT TRANSFORMER: W1	
TRANSFORMER WITH ENCLOSURE: W2	

JINPAN INTERNATIONAL USA LIMITED
 390 VETERANS BOULEVARD *
 CARLSTADT, NJ, 07072 *

CAST COIL DRY-TYPE TRANSFORMER
 4.16 KV PRIMARY AND 0.208 KV SECONDARY

OUTLINE DRAWING

DWG NO: 4.16-0.208-NEMA 1-CABLE

SIGNATURES	DATE	SCALE:
DRAWN: R.Wang	Sep 22, 2017	NONE
CHECKED: F.Chen	Sep 22, 2017	REV.: A
APPROVED: S.Yang	Sep 22, 2017	SHEET: 2 of 3

SIZE DWG NO. 4.16-0.208-NEMA 1-CABLE SHEET REV. A

8

7

6

5

4

1

THIS DRAWING IS FOR REFERENCE ONLY,
JINPAN RESERVE THE RIGHT TO ADJUST
PARAMETER IF NECESSARY.

D

D

C

C

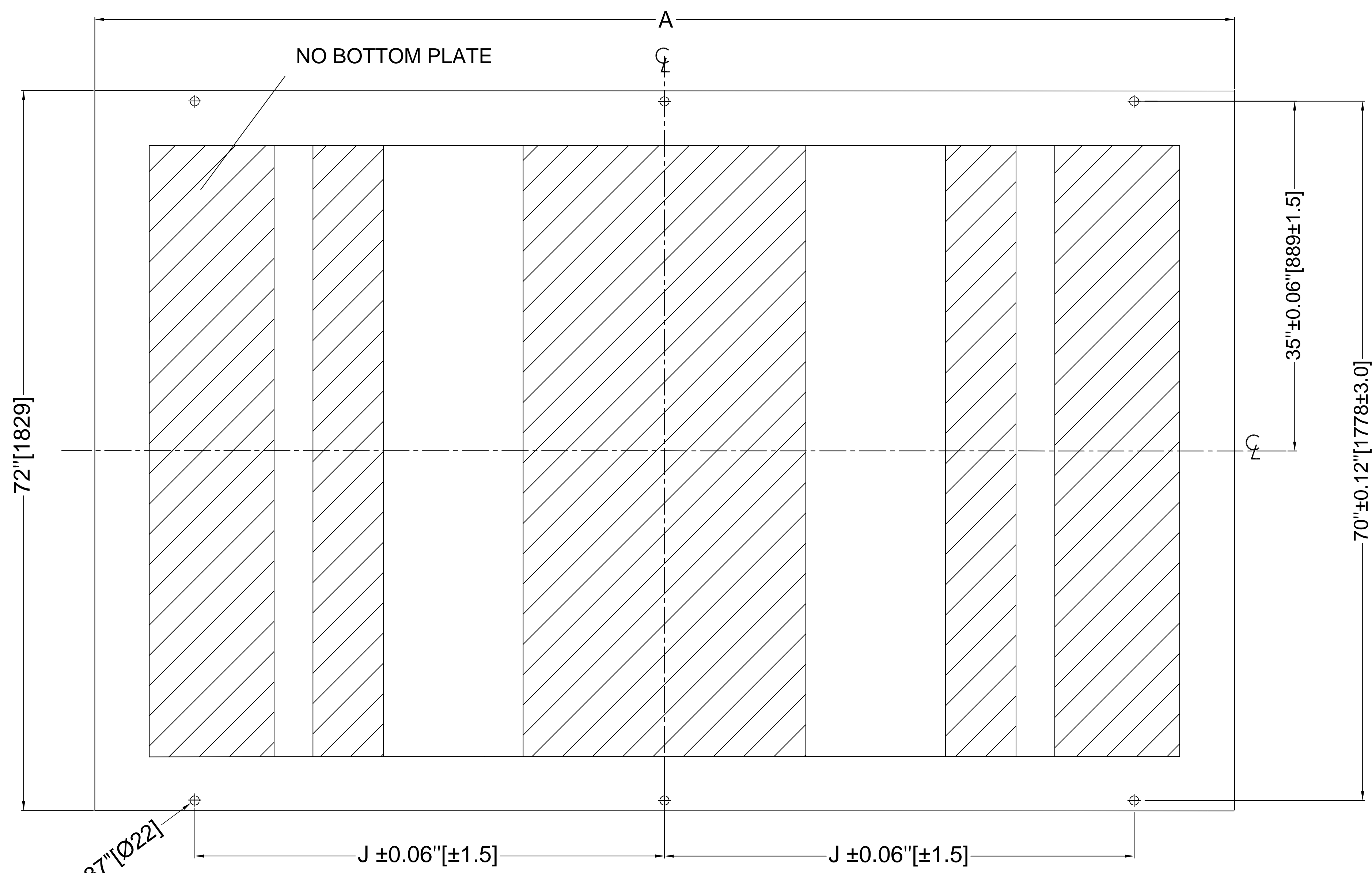
B

A

A

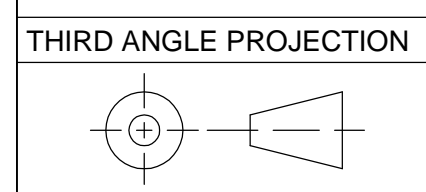
↑

↓



FRONT SIDE
FOUNDATION PLAN

MOUNTING HOLES 6-Ø0.87 [Ø22]



8

7

6

5

4

3

2

1

↑

JINPAN INTERNATIONAL USA LIMITED		* 390 VETERANS BOULEVARD *	
		* CARLSTADT, NJ, 07072 *	
CAST COIL DRY-TYPE TRANSFORMER			
4.16 KV PRIMARY AND 0.208 KV SECONDARY			
OUTLINE DRAWING			
DWG NO: 4.16-0.208-NEMA 1-CABLE			
SIGNATURES		DATE	
DRAWN: R.Wang		Sep 22, 2017	
CHECKED: F.Chen		Sep 22, 2017	
APPROVED: S.Yang		Sep 22, 2017	
SCALE: NONE		REV.: A	
SHEET: 3 of 3		DISTR TO	