

8

7

6

5

4

1

NOTES:

0. APPLICABLE DOCUMENTS AND STANDARDS

A. IEEE Std C57.12.01, IEC 60076-11.

1. MECHANICAL:

A. CONSTRUCTION:

ENCLOSURE IS NEMA 3R OUTDOOR KNOCK DOWN TYPE WITH REMOVABLE PANELS MADE OF COLD-ROLLED STEEL SHEET ATTACHED TO A STEEL BASE FRAME, AND THE BASE IS FINISHED WITH SPRAYING BLACK PAINT.

COILS: FIBER REINFORCED VACUUM CAST EPOXY RESIN WITH COPPER WINDINGS.

CORE: STEP LAPPED SILICA STEEL LAMINATION (EQUAL TO M5) WITH BLACK EPOXY PAINT COATING .

BUS WORK: TIN PLATED COPPER.

B. FINISH:

ENCLOSURE IS ELECTRO-STATIC POWDER PAINT, ANSI 61.

C. THE JUNCTION BOX (NEMA 4X) INCLUDES TERMINALS AND TERMINAL BOARDS, AND CABLE ENTERS FROM THE BOTTOM OF THE TERMINAL BOX.

2. ELECTRICAL:

A. TRANSFORMER RATING (SEE SHEET 2).

3. ENVIRONMENTAL:

A. OPERATING

OUTDOOR

TEMPERATURE: DESIGN AMBIENT TEMPERATURE IS 30°C(86°F) AVG / 40°C(104°F) MAX.

ALTITUDE: 1000M (3300FEET) MAX

B. STORAGE

TEMPERATURE: -25°C(-13°F) TO 50°C(122°F)

HUMIDITY: 0% TO 75%

4. MISCL:

A.  : CENTER OF GRAVITY.

B. ALL INDICATORS AND GAUGES ARE DIMENSIONED IN BOTH ENGLISH AND METRIC UNITS, UNLESS OTHERWISE SPECIFIED, DIMENSION TOLERANCE IS ±3%.

C. 54" SPACE REQUIRED AROUND THE ENCLOSURE FOR VENTILATION AND MAINTENANCE.

THIS DRAWING IS FOR REFERENCE ONLY,  
JINPAN RESERVE THE RIGHT TO ADJUST  
PARAMETER IF NECESSARY.

REVISIONS				
REV.	ZONE	DESCRIPTION	DATE	APPROVED
A		INITIAL ISSUE	Sep 29, 2017	P.Wan

D

D

C

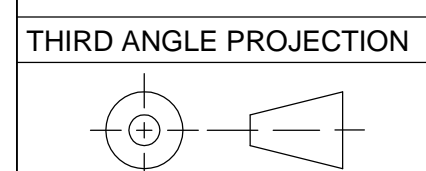
C

B

B

A

A



8

7

6

5

4

3

2

1

JINPAN INTERNATIONAL USA LIMITED		* 390 VETERANS BOULEVARD *	
		* CARLSTADT, NJ, 07072 *	
CAST COIL DRY-TYPE TRANSFORMER			
24.94 KV PRIMARY AND 0.208 KV SECONDARY			
<b>OUTLINE DRAWING</b>			
DWG NO: <b>24.94-0.208-NEMA 3R-BUSBAR</b>			
SIGNATURES		DATE	
DRAWN: Y.Wang		Sep 29, 2017	SCALE: NONE
CHECKED: M.Rao		Sep 29, 2017	REV.: A
APPROVED: P.Wan		Sep 29, 2017	SHEET: 1 of 3

SIZE: D  
 DWG NO: 24.94-0.208-NEMA 3R-BUSBAR  
 SH: 1  
 REV: A  
 DIST TO

8

7

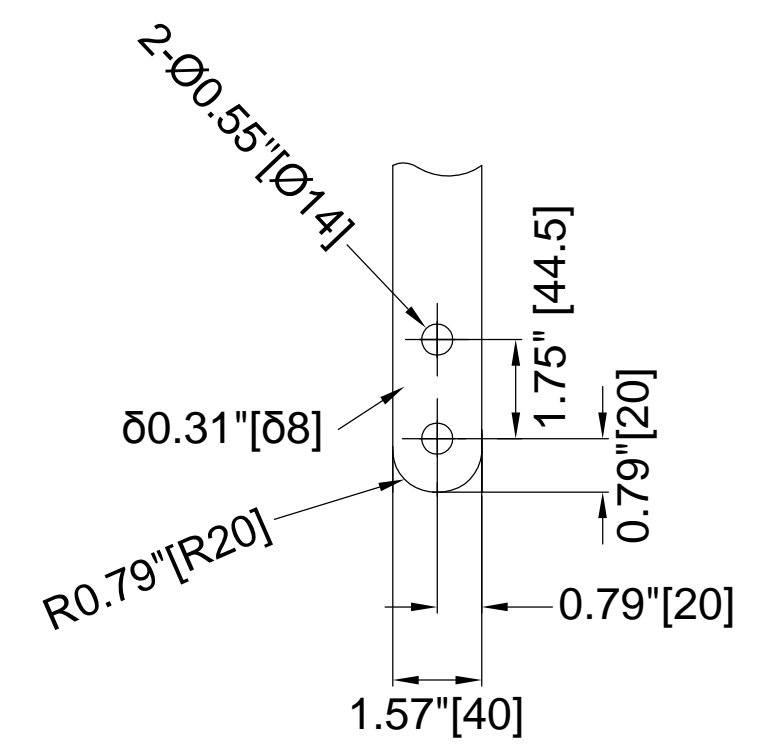
6

5

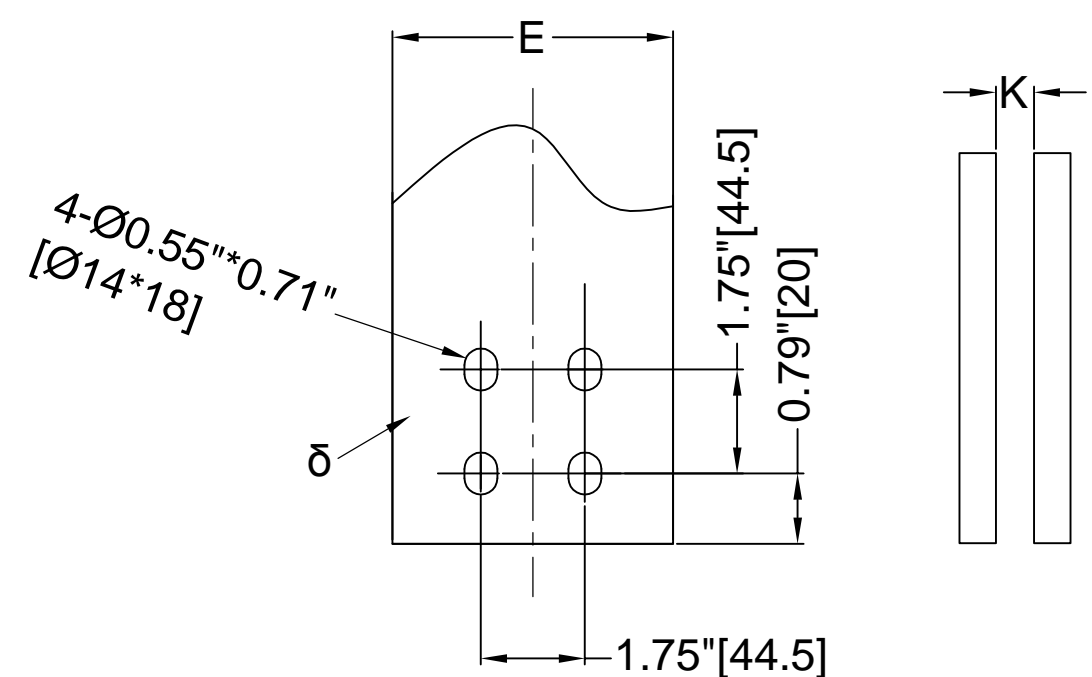
4

1

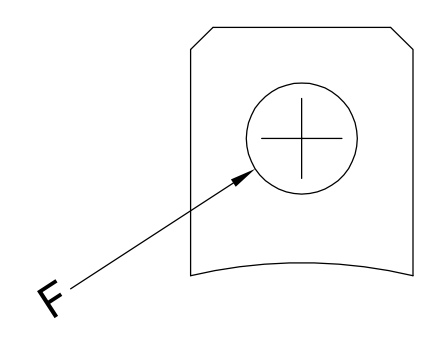
THIS DRAWING IS FOR REFERENCE ONLY,  
JINPAN RESERVE THE RIGHT TO ADJUST  
PARAMETER IF NECESSARY.



HV TERMINAL(H1-H3)

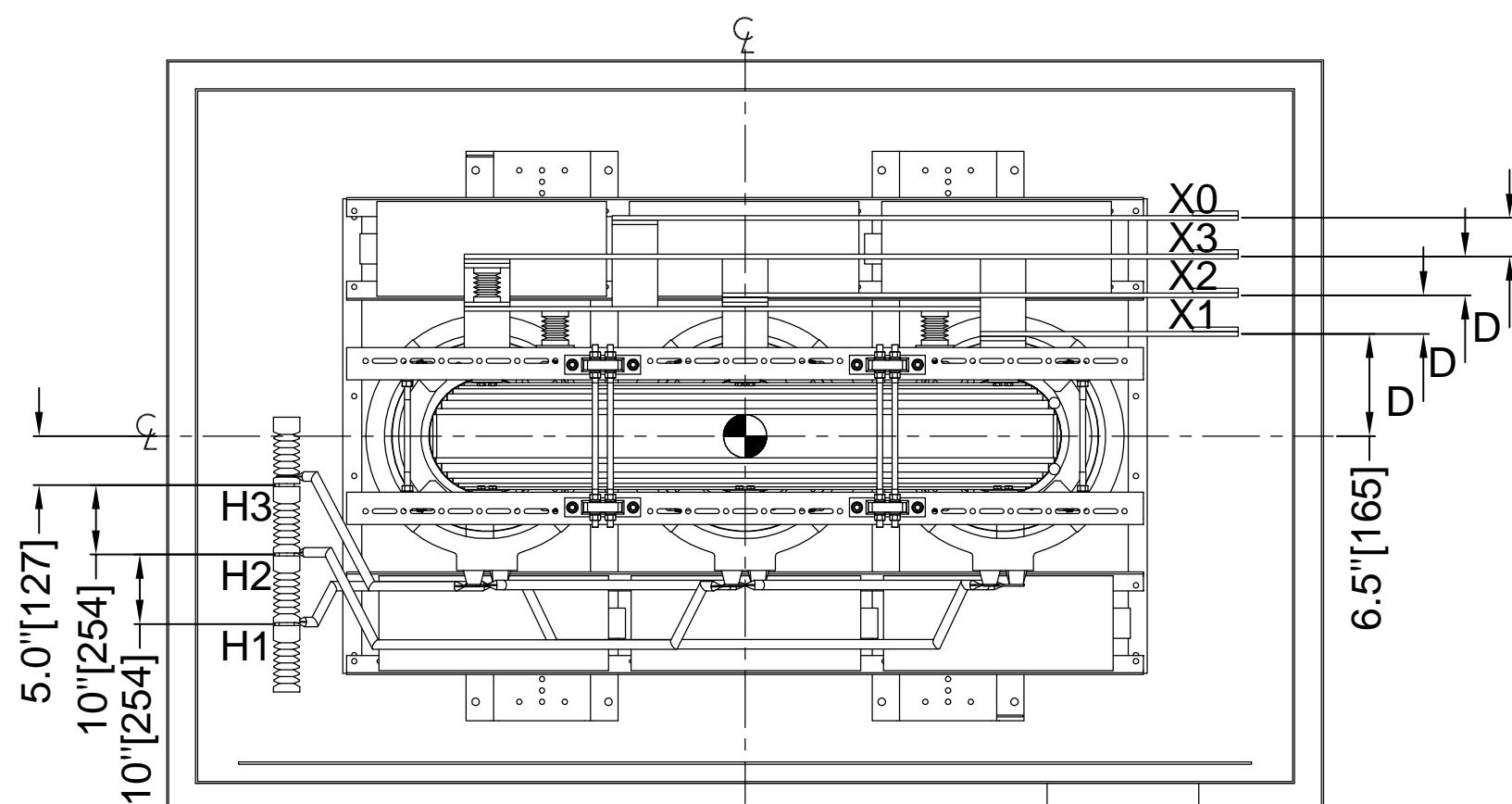


LV TERMINAL(X0-X3)

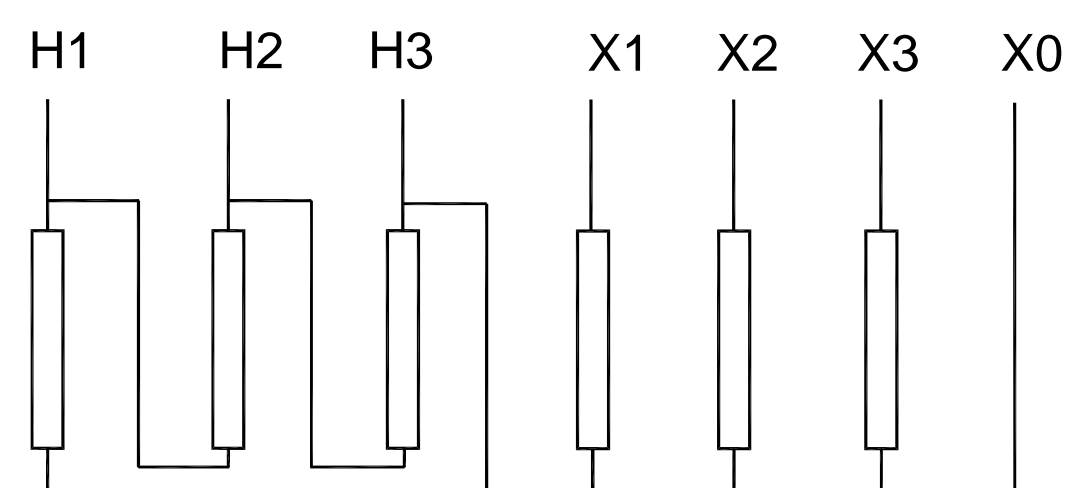


LIFTING LUG

Rated (kVA)	Dimension(in/mm)										LBS/KG	
	A	B	C	D	E	F	δ	G	K	W1	W2	
500/665	96"[2438]	40"[1016]	75"[1905]	3.94"[100]	3.94"[100]	Ø1.97"[Ø50]	0.39"[10]	38"[965]	--	5755/2610	9395/4260	
1000/1330	114"[2896]	42"[1067]	80"[2032]	4.02"[102]	5.91"[150]	Ø1.97"[Ø50]	0.47"[12]	47"[1194]	--	10835/4915	14915/6765	
1500/1995	114"[2896]	43"[1092]	82"[2083]	4.96"[126]	4.72"[120]	Ø1.97"[Ø50]	(2)0.47"[12]	47"[1194]	0.47"[12]	11885/5390	15960/7240	



TOP PLAN VIEW



TAP	VOLTAGE	CONNECTIONS	FIGURE
A	26187	2 - 3, 6 - 7	② ③ ④
B	25564	2 - 3, 5 - 7	
C	24940	1 - 3, 5 - 7	⑥ ⑦ ⑧
D	24317	1 - 3, 5 - 8	
E	23693	1 - 4, 5 - 8	

ITEM	QTY.	DESCRIPTION	REFERENCE
8	6	COOLING FAN	
7	1	ENCLOSURE	
6	1	GROUND BUS	
5	4	LV TERMINAL	
4	1	JUNCTION BOX (JB)	
3	3	HV TERMINAL	
2	6	HV TAPS	
1	4	LIFTING LUG	

STANDARD: IEEE Std C57.12.01, IEC 60076-11

KVA: Rated	COOLING CLASS: AA / FA
HV. 24940 V D	B.I.L. 125 kV 50 kv AC
LV. 208 V Y	B.I.L. 30 kV 4 kv AC
PHASE: 3	FREQUENCY: 60 Hz
INSULATION SYSTEM: 185°C(365°F)	TEMPERATURE RISE: 80°C(176°F)
HV TAPS: ±5%, 2.5% EACH STEP	
CONNECTION: Dyn1	
IMPEDANCE: 5.75% based on Rated kVA (Tolerance: +/-7.5%)	
APPROX. WEIGHT TRANSFORMER: W1	
TRANSFORMER WITH ENCLOSURE: W2	

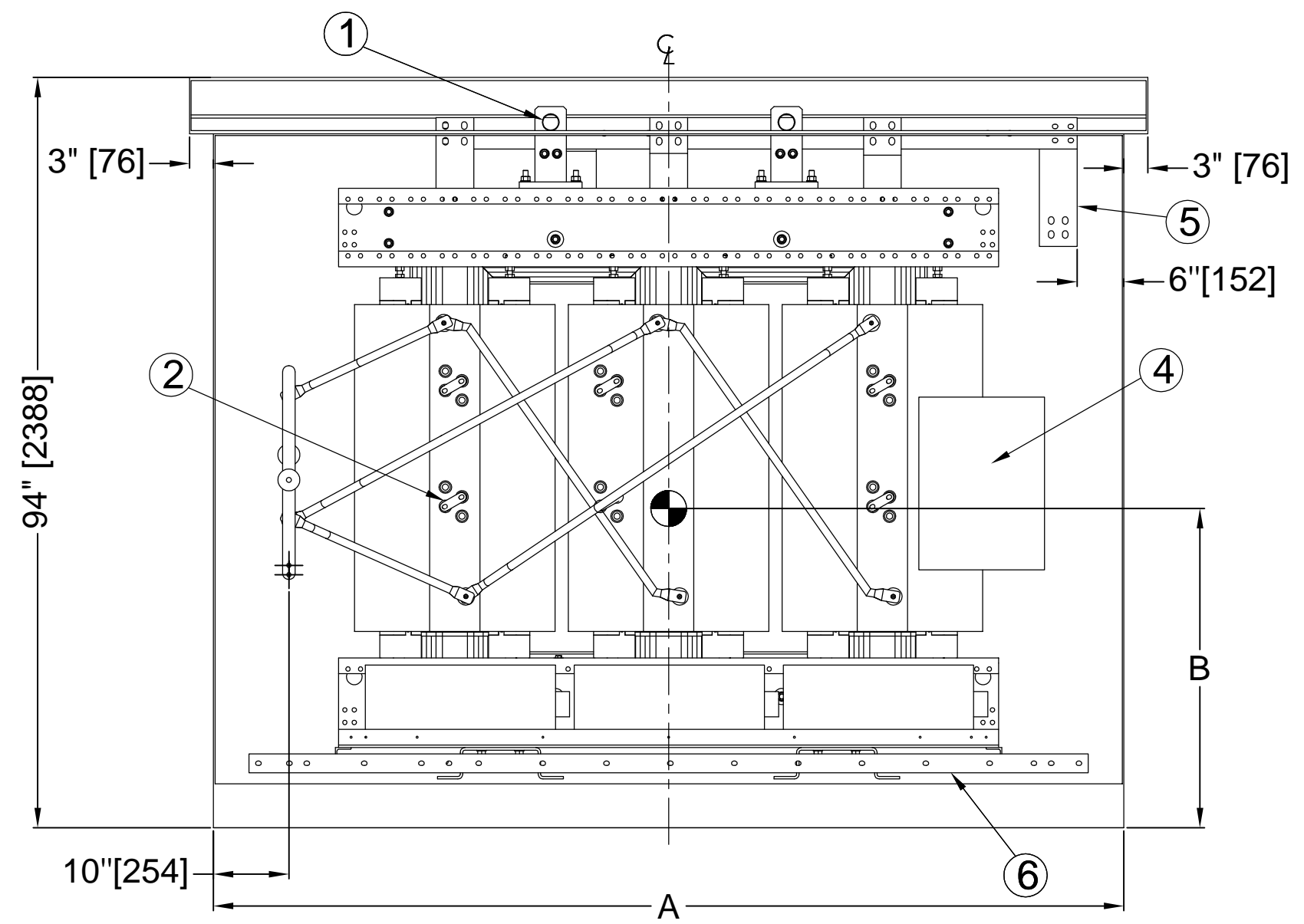
JINPAN INTERNATIONAL USA LIMITED  
 390 VETERANS BOULEVARD \*  
 CARLSTADT, NJ, 07072 \*

CAST COIL DRY-TYPE TRANSFORMER  
 24.94 KV PRIMARY AND 0.208 KV SECONDARY

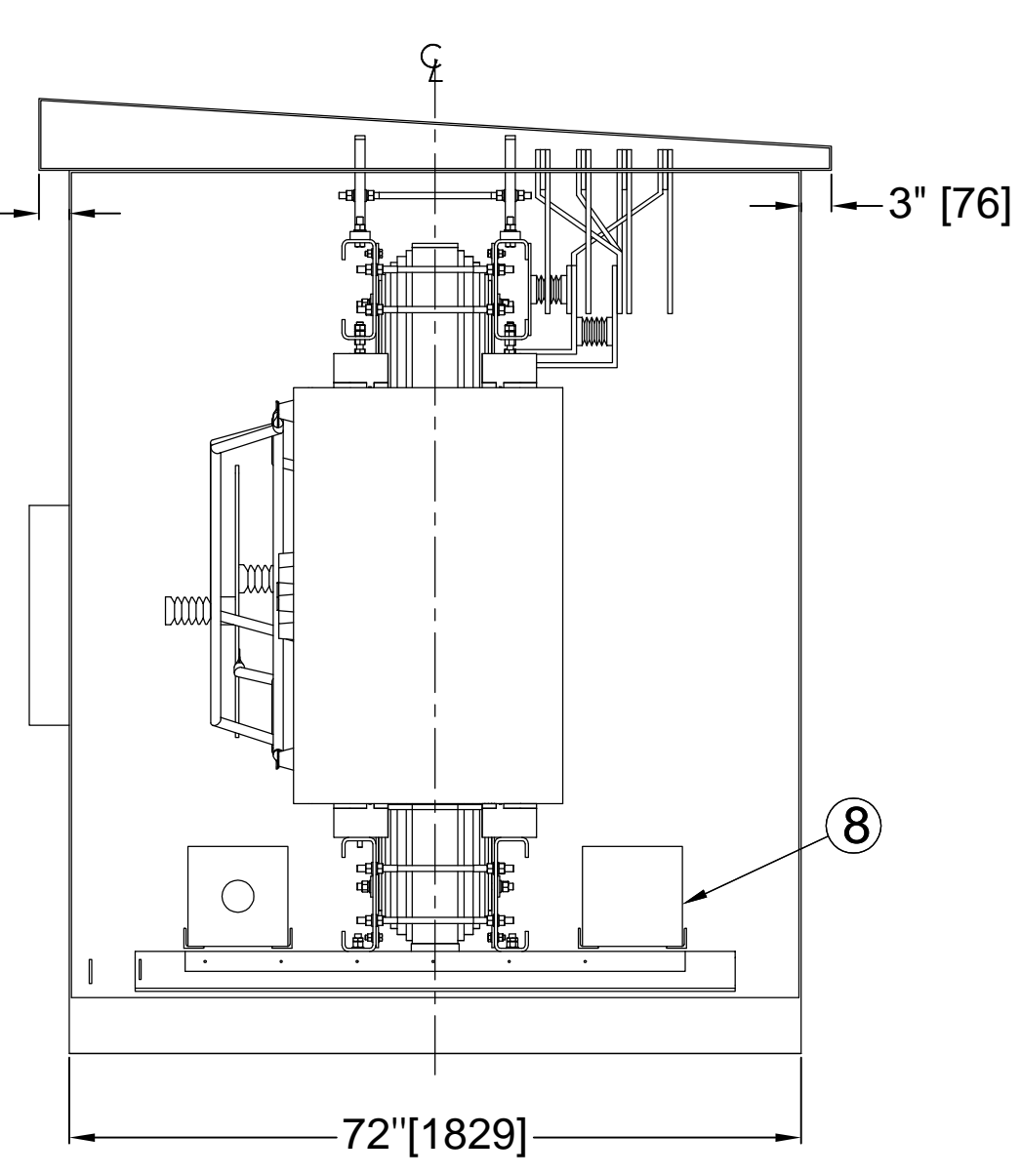
**OUTLINE DRAWING**

DWG NO: 24.94-0.208-NEMA 3R-BUSBAR

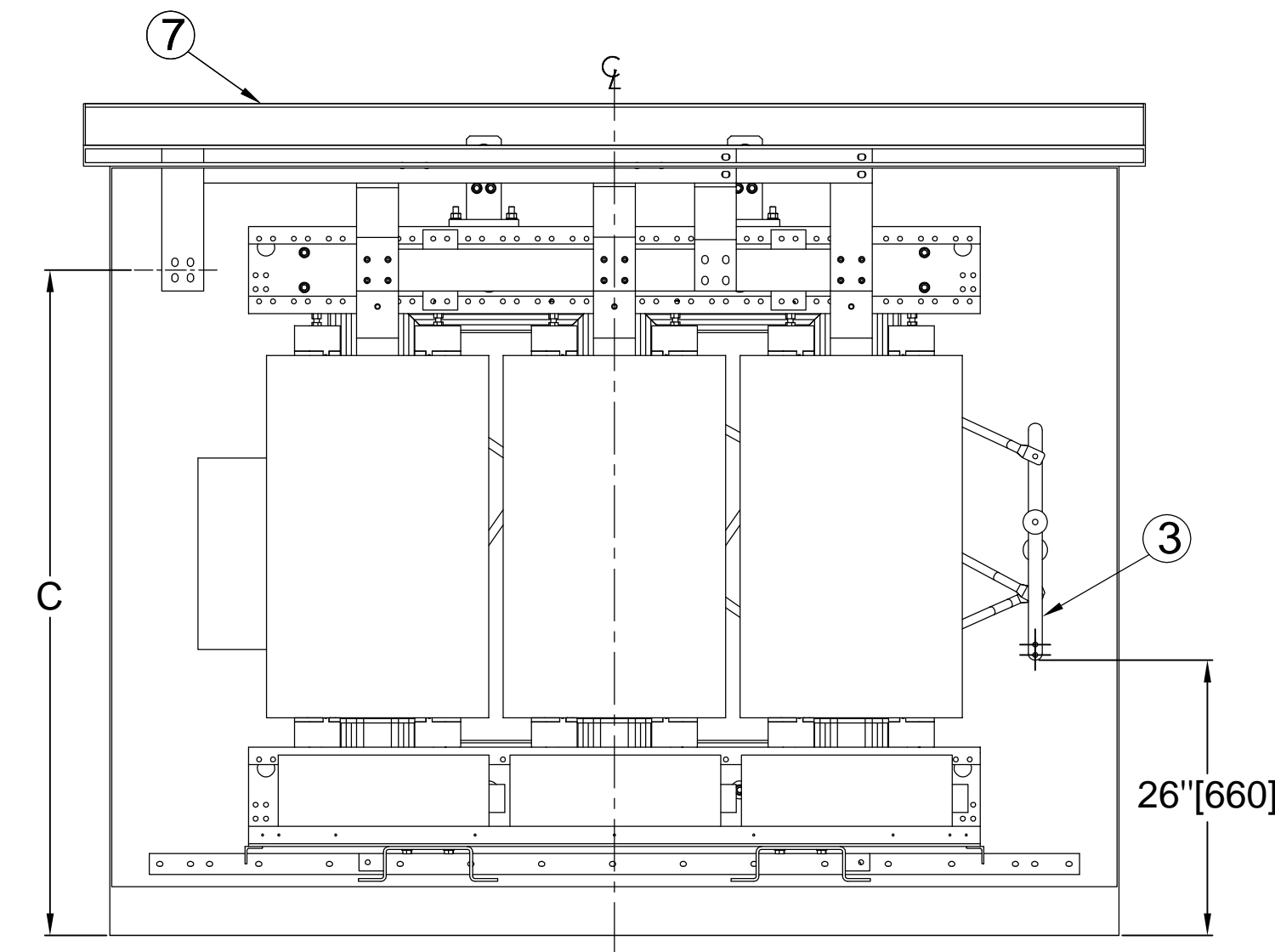
B



FRONT VIEW (HV TAPS)

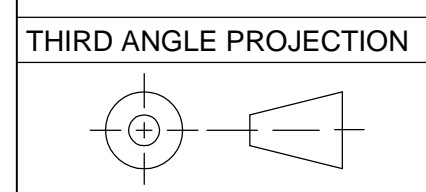


RIGHT SIDE VIEW



REAR VIEW

A



8

7

6

5

4

3

2

1

SIZE DWG NO. 24.94-0.208-NEMA 3R-BUSBAR

SHEET 2 REV. A

DISTR TO

8

7

6

5

4

1

THIS DRAWING IS FOR REFERENCE ONLY,  
JINPAN RESERVE THE RIGHT TO ADJUST  
PARAMETER IF NECESSARY.

D

D

C

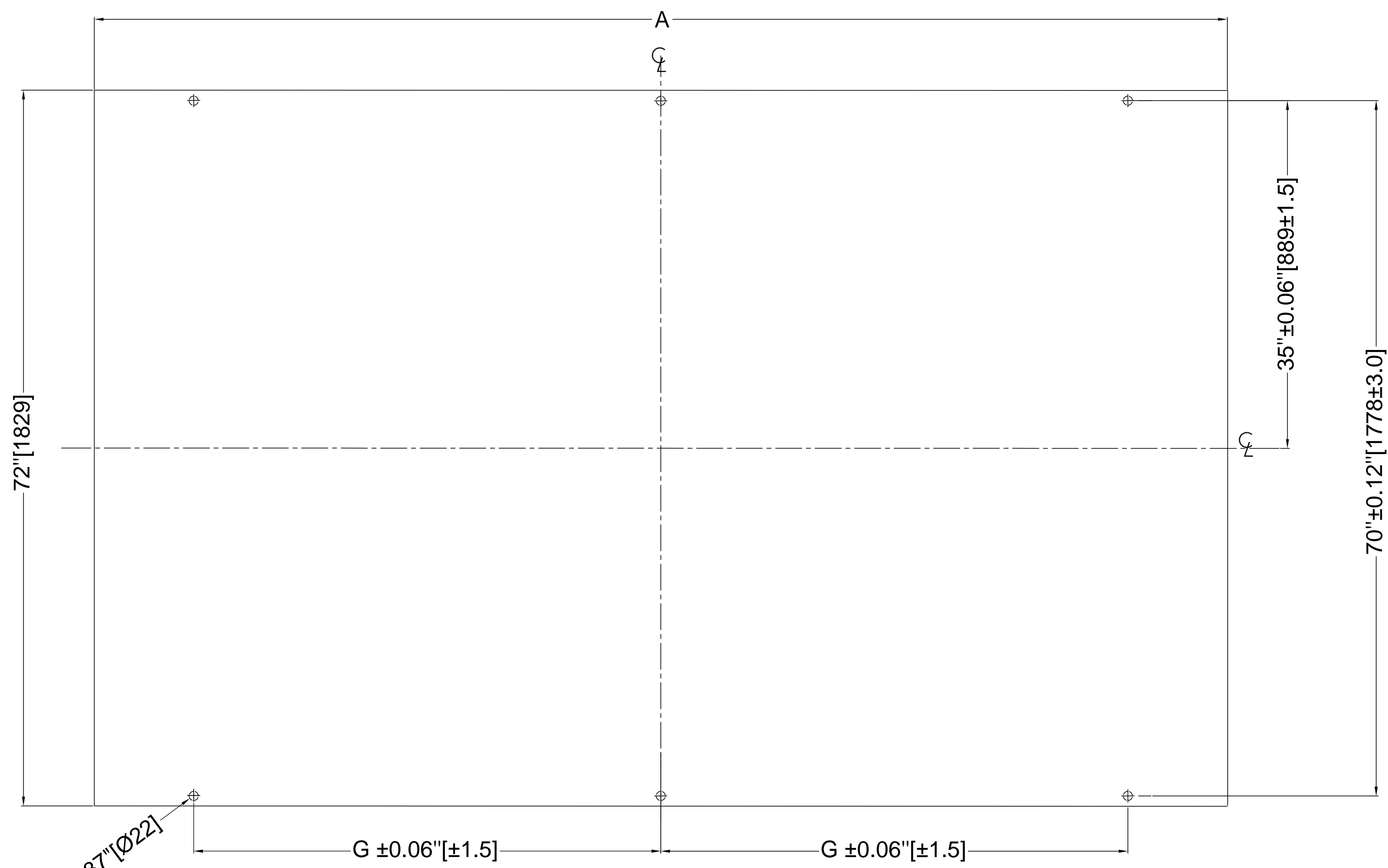
C

B

B

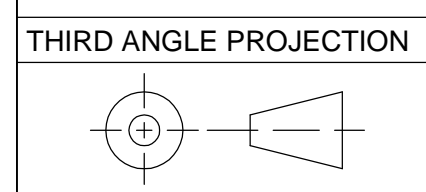
A

A



FRONT SIDE  
FOUNDATION PLAN

MOUNTING HOLES 6-Ø0.87" [Ø22]



8

7

6

5

4

3

2

1

JINPAN INTERNATIONAL USA LIMITED		* 390 VETERANS BOULEVARD *	
		* CARLSTADT, NJ, 07072 *	
CAST COIL DRY-TYPE TRANSFORMER			
24.94 KV PRIMARY AND 0.208 KV SECONDARY			
<b>OUTLINE DRAWING</b>			
DWG NO:		24.94-0.208-NEMA 3R-BUSBAR	
SIGNATURES		DATE	
DRAWN: Y.Wang	Sep 29, 2017	SCALE: NONE	
CHECKED: M.Rao	Sep 29, 2017	REV.: A	
APPROVED: P.Wan	Sep 29, 2017	SHEET: 3 of 3	

SIZE | DWG NO. | SHEET | REV. | DISTR TO

D | 24.94-0.208-NEMA 3R-BUSBAR | 3 | A |