

8

7

6

5

4

SIZE  
D

DWG NO.

13.8-0.48-NEMA 3R-BUSBAR

SH  
1

REV.  
A

1

NOTES:  
 0. APPLICABLE DOCUMENTS AND STANDARDS  
 A. IEEE Std C57.12.01, IEC 60076-11.

1. MECHANICAL:

A. CONSTRUCTION:

ENCLOSURE IS NEMA 3R OUTDOOR KNOCK DOWN TYPE WITH REMOVABLE PANELS MADE OF COLD-ROLLED STEEL SHEET ATTACHED TO A STEEL BASE FRAME, AND THE BASE IS FINISHED WITH SPRAYING BLACK PAINT.

COILS: FIBER REINFORCED VACUUM CAST EPOXY RESIN WITH COPPER WINDINGS.

CORE: STEP LAPPED SILICA STEEL LAMINATION (EQUAL TO M5) WITH BLACK EPOXY PAINT COATING .

BUS WORK: TIN PLATED COPPER.

B. FINISH:

ENCLOSURE IS ELECTRO-STATIC POWDER PAINT, ANSI 61.

C. THE JUNCTION BOX (NEMA 4X) INCLUDES TERMINALS AND TERMINAL BOARDS, AND CABLE ENTERS FROM THE BOTTOM OF THE TERMINAL BOX.

2. ELECTRICAL:

A. TRANSFORMER RATING (SEE SHEET 2).

3. ENVIRONMENTAL:

A. OPERATING

OUTDOOR

TEMPERATURE: DESIGN AMBIENT TEMPERATURE IS 30°C(86°F) AVG / 40°C(104°F) MAX.

ALTITUDE: 1000M (3300FEET) MAX

B. STORAGE

TEMPERATURE: -25°C(-13°F) TO 50°C(122°F)

HUMIDITY: 0% TO 75%

4. MISCL:

A.  : CENTER OF GRAVITY.

B. ALL INDICATORS AND GAUGES ARE DIMENSIONED IN BOTH ENGLISH AND METRIC UNITS, UNLESS OTHERWISE SPECIFIED, DIMENSION TOLERANCE IS ±3%.

C. 54" SPACE REQUIRED AROUND THE ENCLOSURE FOR VENTILATION AND MAINTENANCE.

THIS DRAWING IS FOR REFERENCE ONLY,  
 JINPAN RESERVE THE RIGHT TO ADJUST  
 PARAMETER IF NECESSARY.

REVISIONS				
REV.	ZONE	DESCRIPTION	DATE	APPROVED
A		INITIAL ISSUE	Sep 15, 2017	P.Wan

D

D

C

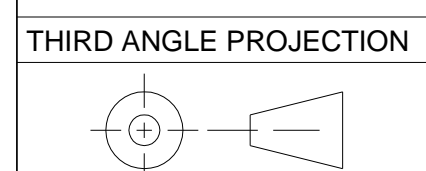
C

B

B

A

A



8

7

6

5

4

3

2

1

JINPAN INTERNATIONAL USA LIMITED		* 390 VETERANS BOULEVARD *	
		* CARLSTADT, NJ, 07072 *	
CAST COIL DRY-TYPE TRANSFORMER			
13.8 KV PRIMARY AND 0.48 KV SECONDARY			
<b>OUTLINE DRAWING</b>			
DWG NO: <b>13.8-0.48-NEMA 3R-BUSBAR</b>			
SIGNATURES		DATE	
DRAWN: M.Song		Sep 15, 2017	SCALE: NONE
CHECKED: R.Mao		Sep 15, 2017	REV.: A
APPROVED: P.Wan		Sep 15, 2017	SHEET: 1 of 3

SIZE  
D

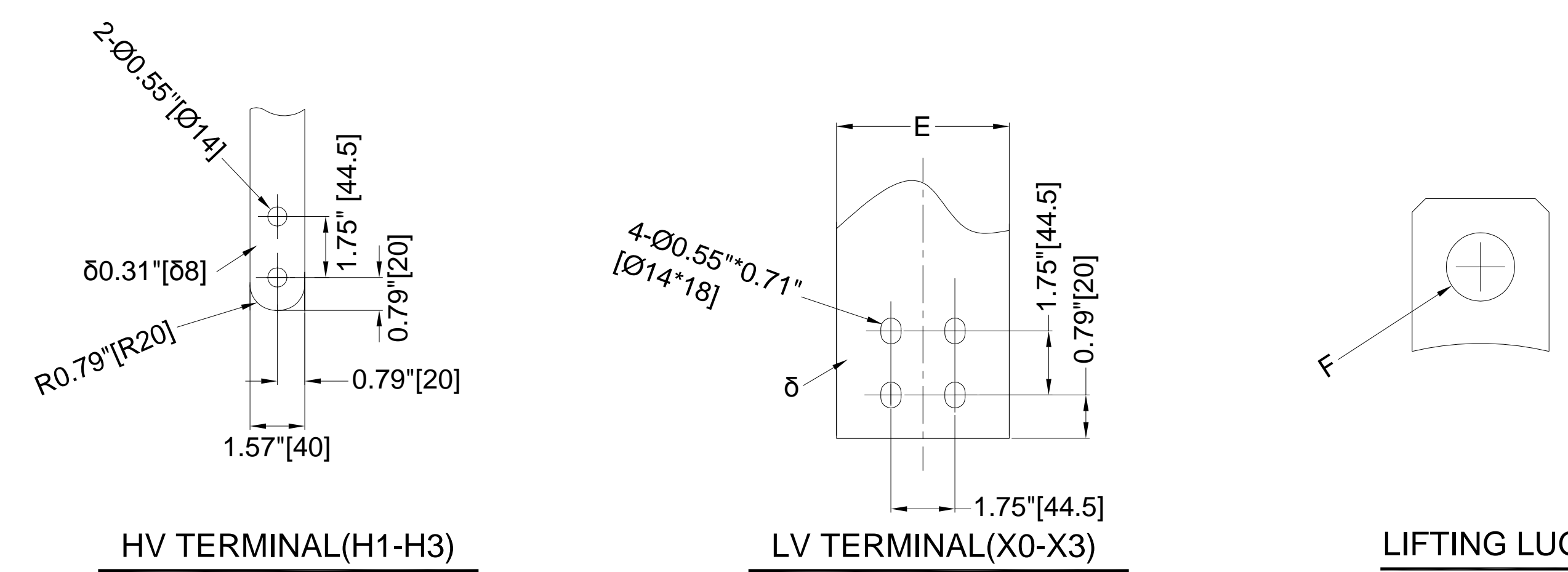
DWG NO.  
13.8-0.48-NEMA 3R-BUSBAR

SH  
1

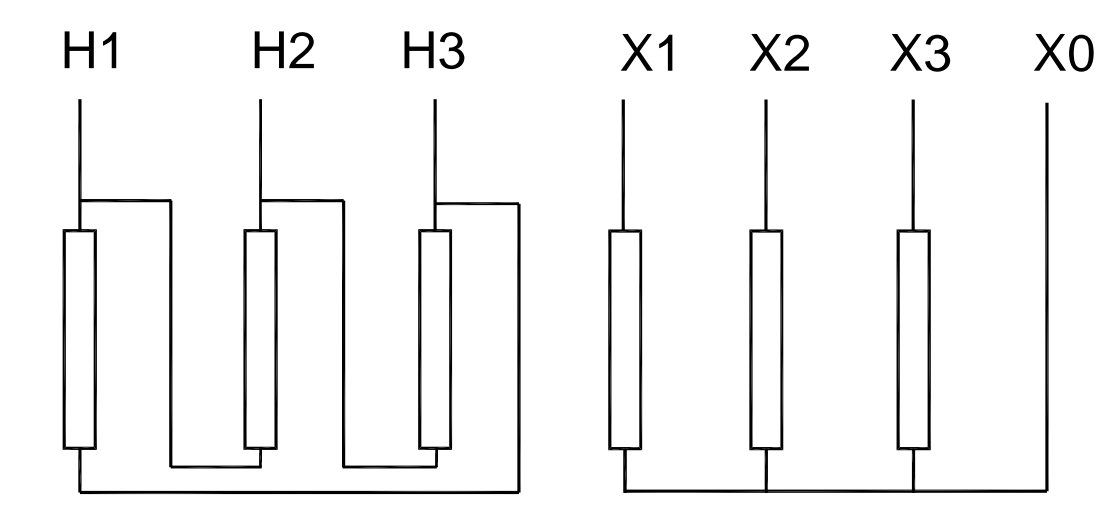
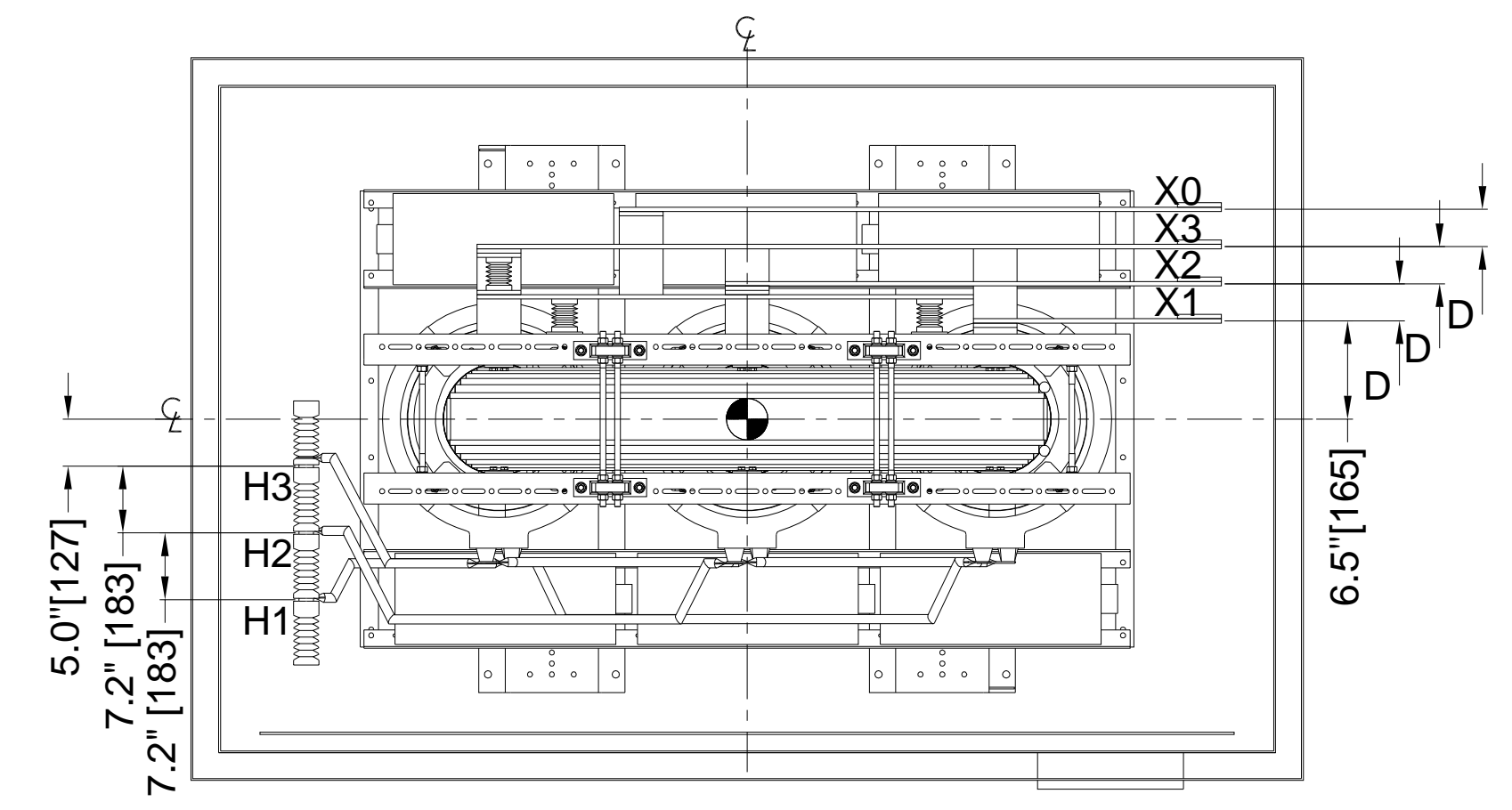
REV.  
A

DISTR  
TO

THIS DRAWING IS FOR REFERENCE ONLY,  
JINPAN RESERVE THE RIGHT TO ADJUST  
PARAMETER IF NECESSARY.

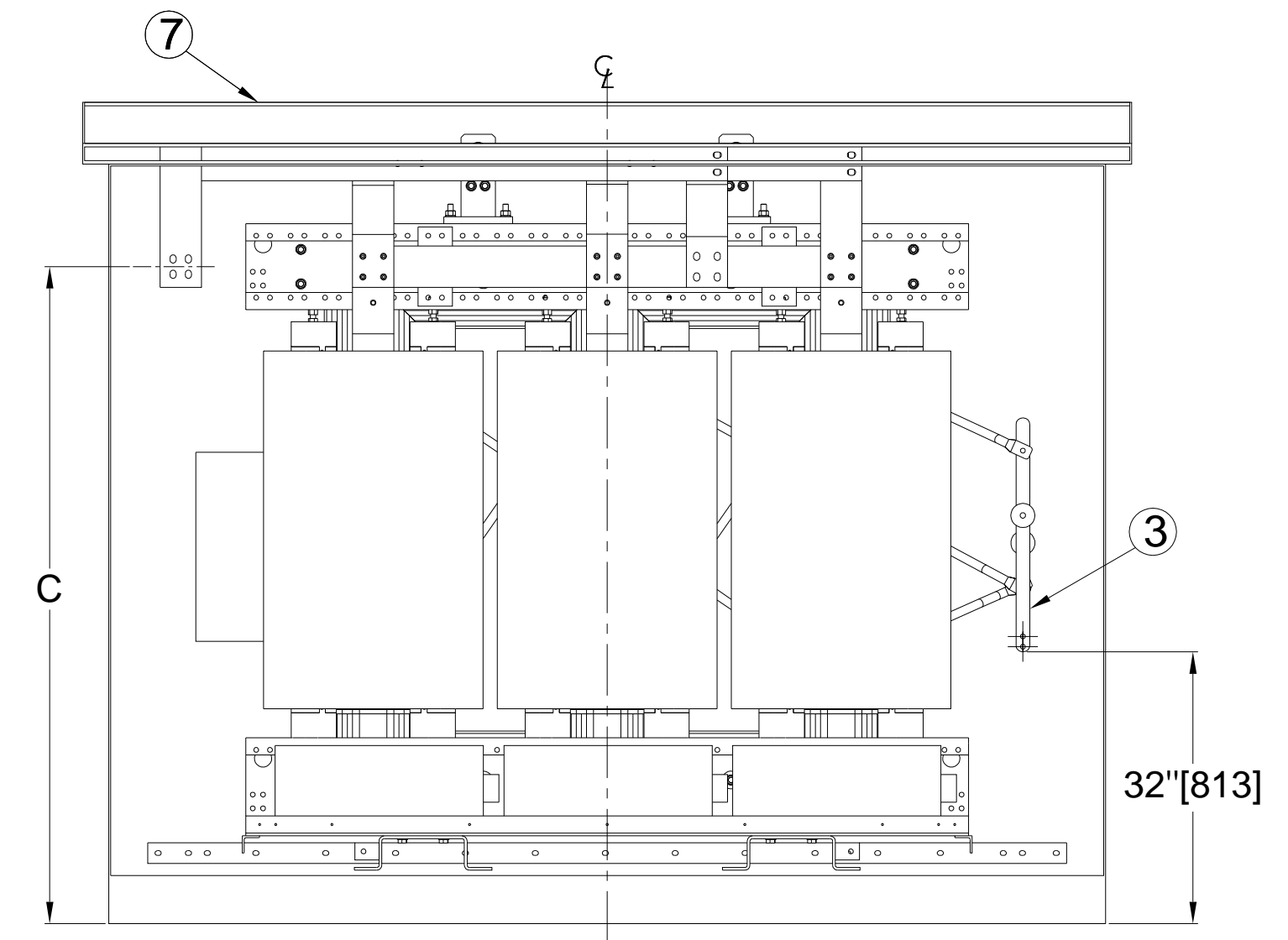
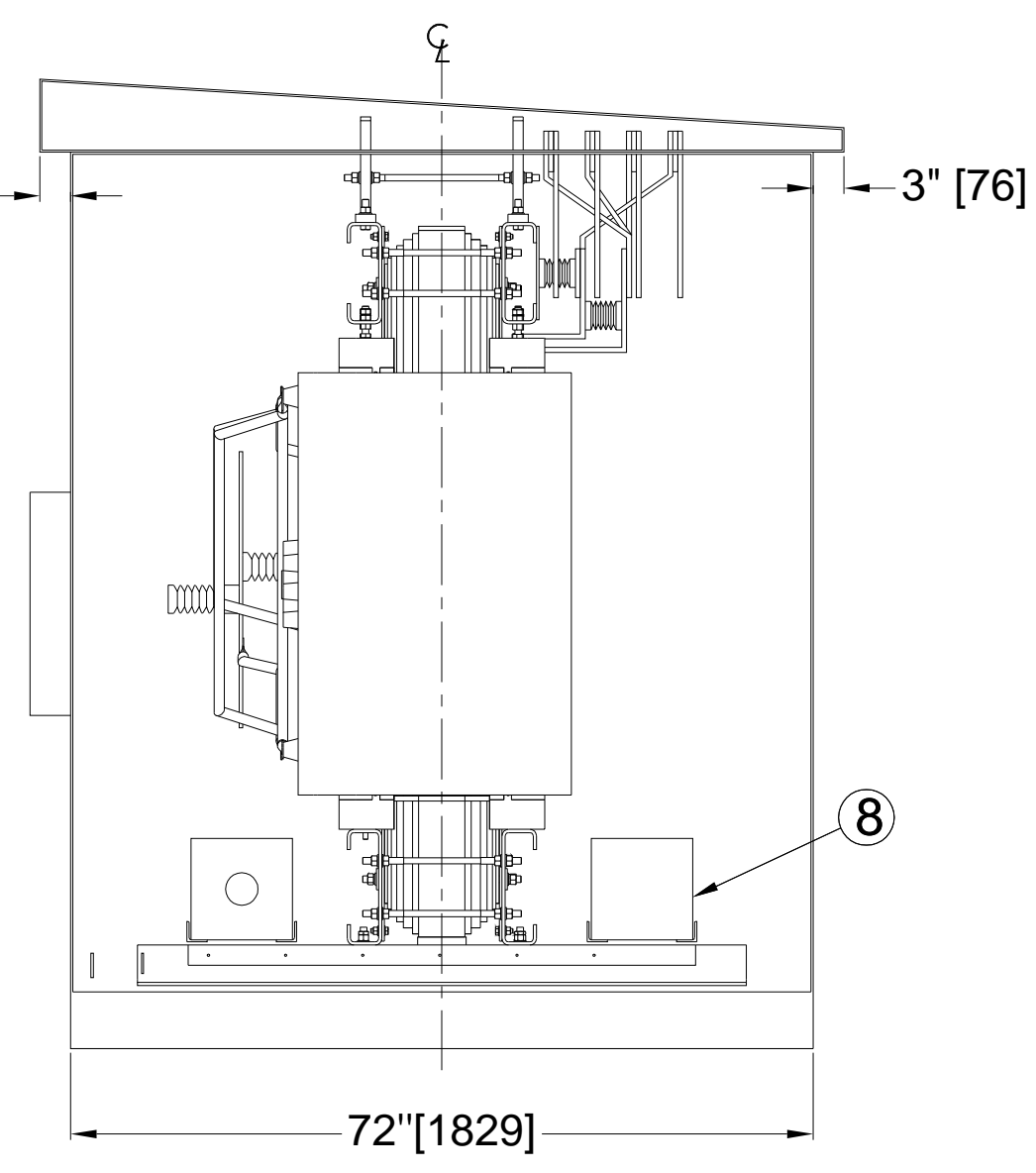
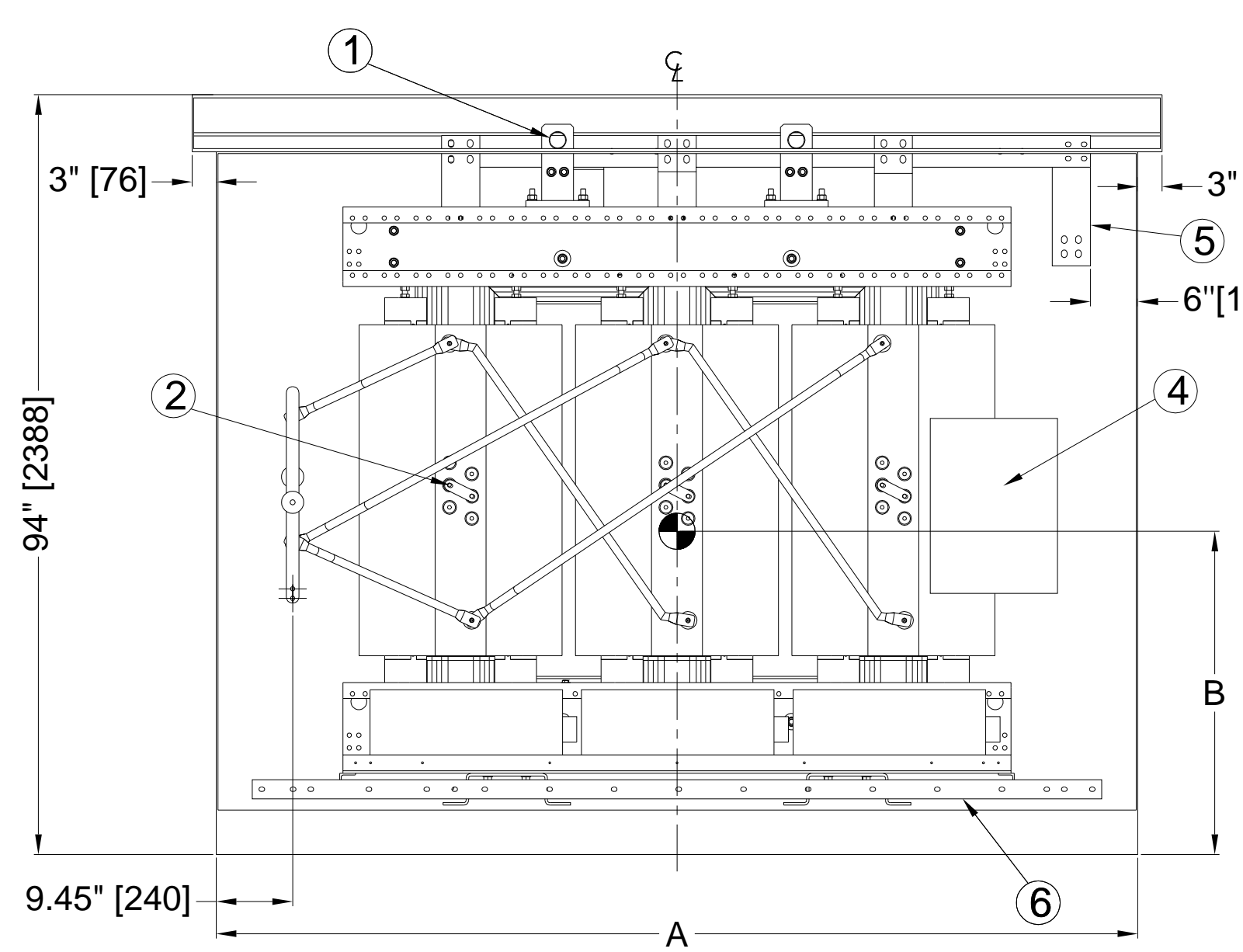


Rated (kVA)	Dimension(in/mm)									LBS/KG	
	A	B	C	D	E	δ	F	G	W1	W2	
500/665	96" [2438]	33" [838]	65" [1651]	3.78" [96]	3.15" [80]	0.24" [6]	Ø1.97" [Ø50]	38" [965]	4550/2065	8180/3715	
1000/1330	96" [2438]	35" [889]	65" [1651]	3.94" [100]	3.15" [80]	0.39" [10]	Ø1.97" [Ø50]	38" [965]	8065/3660	11695/5310	
2000/2660	114" [2896]	40" [1016]	75" [1905]	4.02" [102]	5.91" [150]	0.47" [12]	Ø1.97" [Ø50]	47" [1194]	14200/6440	18270/8290	
3000/3990	126" [3200]	42" [1067]	75" [1905]	4.13" [105]	5.91" [150]	0.59" [15]	Ø2.76" [Ø70]	53" [1346]	17800/8075	22160/10055	



TAP	VOLTAGE	CONNECTIONS	FIGURE
A	14490	3 - 4	
B	14145	2 - 4	
C	13800	2 - 5	
D	13455	1 - 5	
E	13110	1 - 6	

ITEM	QTY.	DESCRIPTION	REFERENCE
8	6	COOLING FAN	
7	1	ENCLOSURE	
6	1	GROUND BUS	
5	4	LV TERMINAL	
4	1	JUNCTION BOX (JB)	
3	3	HV TERMINAL	
2	3	HV TAPS	
1	4	LIFTING LUG	



STANDARD: IEEE Std C57.12.01, IEC 60076-11

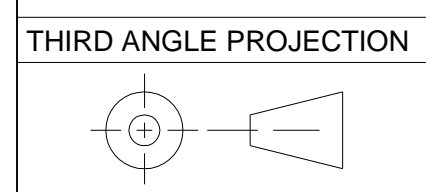
KVA: Rated	COOLING CLASS: AA / FA
HV. 13800 V D	B.I.L. 95 kV 34 kV AC
LV. 480 V Y	B.I.L. 30 kV 4 kV AC
PHASE: 3	FREQUENCY: 60 Hz
INSULATION SYSTEM: 185°C(365°F)	TEMPERATURE RISE: 80°C(176°F)
HV TAPS: ±5%, 2.5% EACH STEP	
CONNECTION: Dyn1	
IMPEDANCE: 5.75% based on Rated kVA (Tolerance: +/-7.5%)	
APPROX. WEIGHT TRANSFORMER: W1	
TRANSFORMER WITH ENCLOSURE: W2	

JINPAN INTERNATIONAL USA LIMITED  
 \* 390 VETERANS BOULEVARD \*  
 \* CARLSTADT, NJ, 07072 \*

CAST COIL DRY-TYPE TRANSFORMER  
 13.8 KV PRIMARY AND 0.48 KV SECONDARY

DWG NO: 13.8-0.48-NEMA 3R-BUSBAR

SIGNATURES	DATE	SCALE:
DRAWN: M.Song	Sep 15, 2017	NONE
CHECKED: R.Mao	Sep 15, 2017	REV.: A
APPROVED: P.Wan	Sep 15, 2017	SHEET: 2 of 3



SIZE DWG NO. 13.8-0.48-NEMA 3R-BUSBAR SH 2 REV. A

8

7

6

5

4

1

THIS DRAWING IS FOR REFERENCE ONLY,  
JINPAN RESERVE THE RIGHT TO ADJUST  
PARAMETER IF NECESSARY.

D

D

C

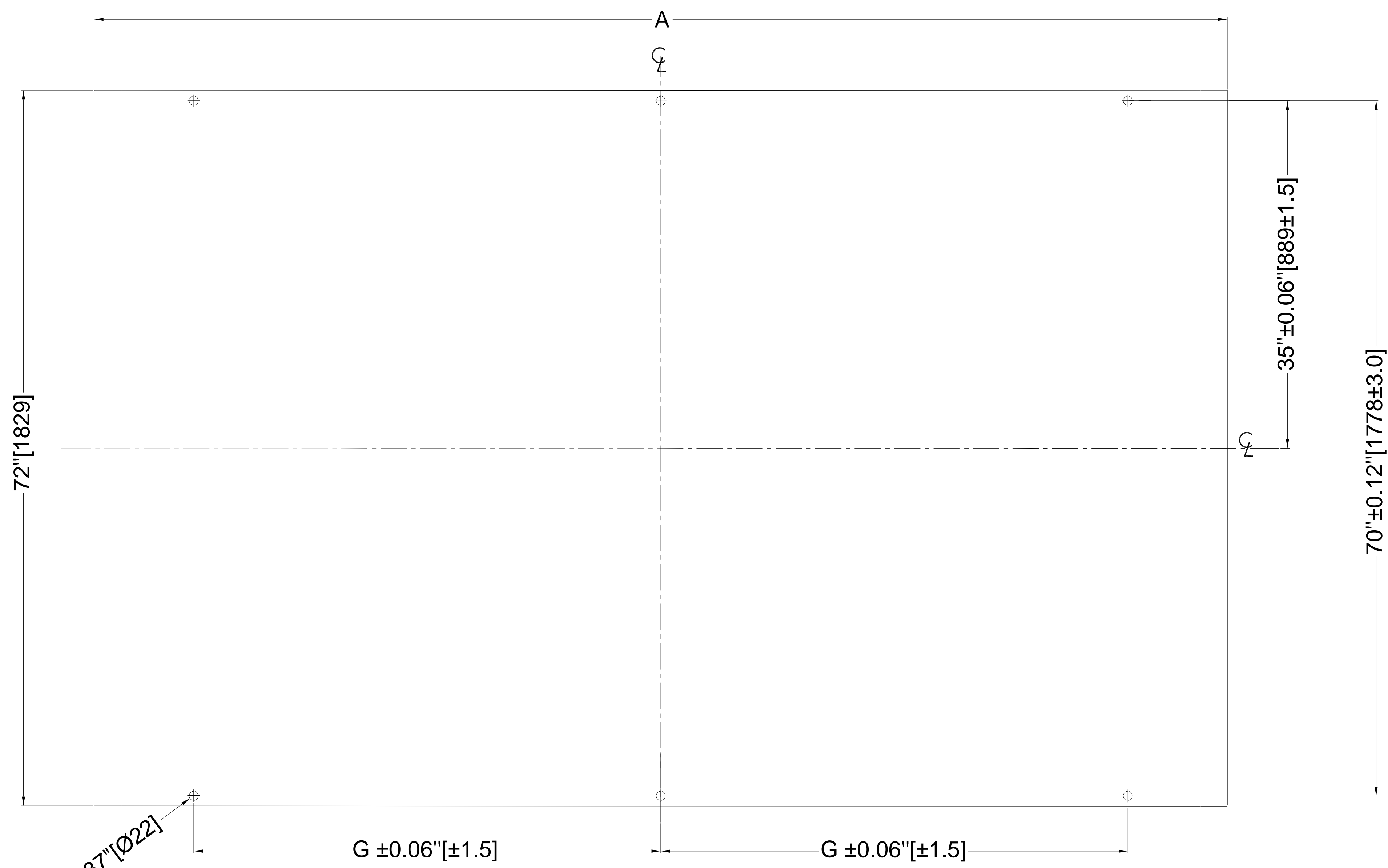
C

B

B

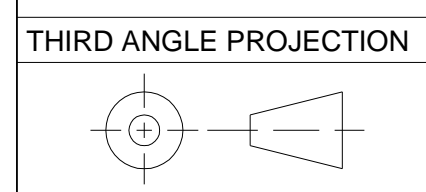
A

A



FRONT SIDE  
FOUNDATION PLAN

JINPAN INTERNATIONAL USA LIMITED		* 390 VETERANS BOULEVARD *	
		* CARLSTADT, NJ, 07072 *	
CAST COIL DRY-TYPE TRANSFORMER			
13.8 KV PRIMARY AND 0.48 KV SECONDARY			
<b>OUTLINE DRAWING</b>			
DWG NO: <b>13.8-0.48-NEMA 3R-BUSBAR</b>			
SIGNATURES		DATE	
DRAWN: M.Song		Sep 15, 2017	SCALE: NONE
CHECKED: R.Mao		Sep 15, 2017	REV.: A
APPROVED: P.Wan		Sep 15, 2017	SHEET: 3 of 3



8

7

6

5

4

3

2

1

