

8

7

6

5

4

SIZE
D

DWG NO.

13.8-0.48-NEMA 1-CABLE

SH
1

REV.
A

1

NOTES:
 0. APPLICABLE DOCUMENTS AND STANDARDS
 A. IEEE Std C57.12.01, IEC 60076-11.

1. MECHANICAL:

A. CONSTRUCTION:

ENCLOSURE IS NEMA 1 INDOOR KNOCK DOWN TYPE WITH REMOVABLE PANELS MADE OF COLD-ROLLED STEEL SHEET ATTACHED TO A STEEL BASE FRAME, AND THE BASE IS FINISHED WITH SPRAYING BLACK PAINT.

COILS: FIBER REINFORCED VACUUM CAST EPOXY RESIN WITH COPPER WINDINGS.

CORE: STEP LAPPED SILICA STEEL LAMINATION (EQUAL TO M5) WITH BLACK EPOXY PAINT COATING .

BUS WORK: TIN PLATED COPPER.

B. FINISH:

ENCLOSURE IS ELECTRO-STATIC POWDER PAINT, ANSI 61.

C. THE JUNCTION BOX (NEMA 12) INCLUDES TERMINALS AND TERMINAL BOARDS, AND CABLE ENTERS FROM THE BOTTOM OF THE TERMINAL BOX.

2. ELECTRICAL:

A. TRANSFORMER RATING (SEE SHEET 2).

3. ENVIRONMENTAL:

A. OPERATING

INDOOR

TEMPERATURE: DESIGN AMBIENT TEMPERATURE IS 30°C(86°F) AVG / 40°C(104°F) MAX.

ALTITUDE: 1000M (3300FEET) MAX

B. STORAGE

TEMPERATURE: -25°C(-13°F) TO 50°C(122°F)

HUMIDITY: 0% TO 75%

4. MISCL:

A.  : CENTER OF GRAVITY.

B. ALL INDICATORS AND GAUGES ARE DIMENSIONED IN BOTH ENGLISH AND METRIC UNITS, UNLESS OTHERWISE SPECIFIED, DIMENSION TOLERANCE IS ±3%.

C. 54" SPACE REQUIRED AROUND THE ENCLOSURE FOR VENTILATION AND MAINTENANCE.

THIS DRAWING IS FOR REFERENCE ONLY,
 JINPAN RESERVE THE RIGHT TO ADJUST
 PARAMETER IF NECESSARY.

REVISIONS				
REV.	ZONE	DESCRIPTION	DATE	APPROVED
A		INITIAL ISSUE	Sep 15, 2017	P.Wan

D

D

C

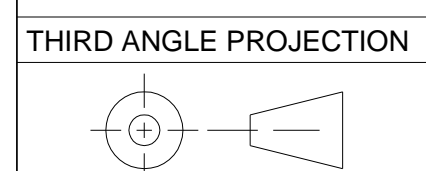
C

B

B

A

A



8

7

6

5

4

3

2

1

JINPAN INTERNATIONAL USA LIMITED		* 390 VETERANS BOULEVARD *	
		* CARLSTADT, NJ, 07072 *	
CAST COIL DRY-TYPE TRANSFORMER			
13.8 KV PRIMARY AND 0.48 KV SECONDARY			
OUTLINE DRAWING			
DWG NO:			
13.8-0.48-NEMA 1-CABLE			
SIGNATURES		DATE	
DRAWN: M.Song		Sep 15, 2017	SCALE: NONE
CHECKED: R.Mao		Sep 15, 2017	REV.: A
APPROVED: P.Wan		Sep 15, 2017	SHEET: 1 of 3

SIZE
D

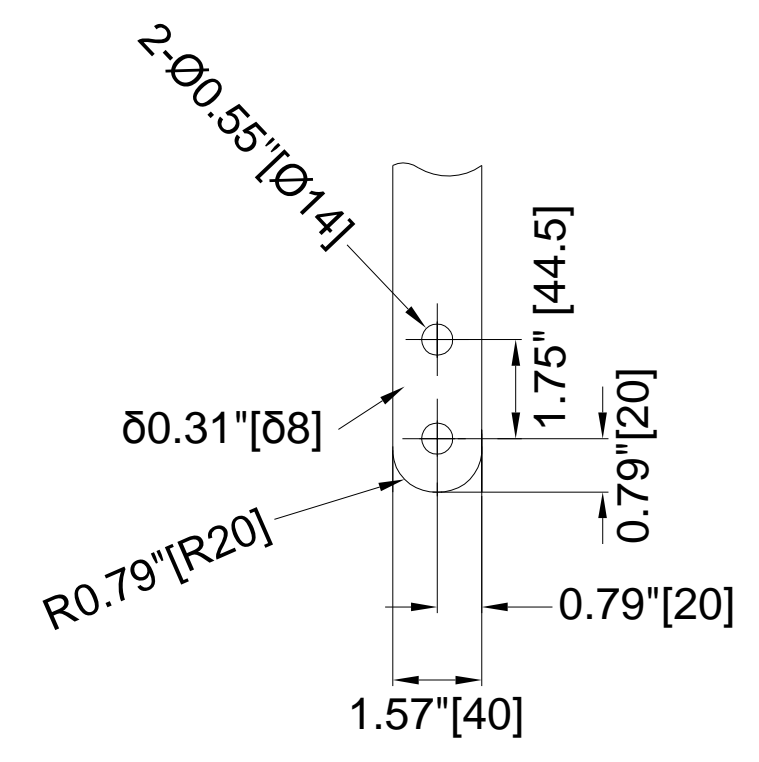
DWG NO.
13.8-0.48-NEMA 1-CABLE

SH
1

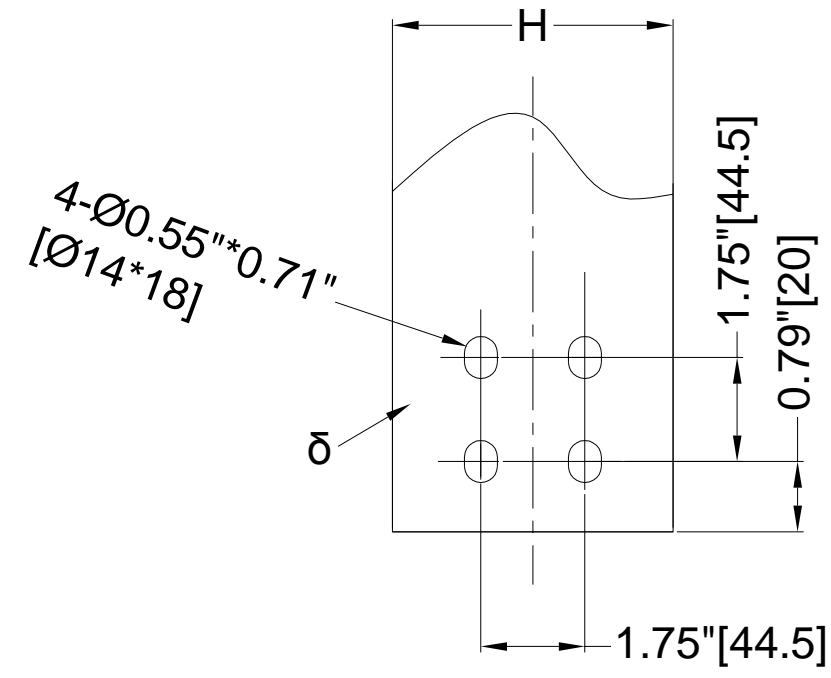
REV.
A

DISTR
TO

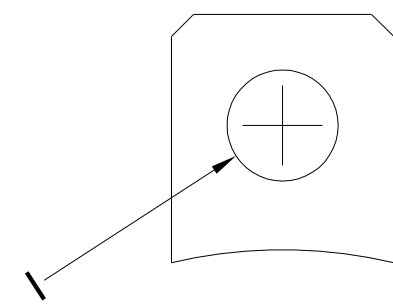
THIS DRAWING IS FOR REFERENCE ONLY, JINPAN RESERVE THE RIGHT TO ADJUST PARAMETER IF NECESSARY.



HV TERMINAL(H1-H3)

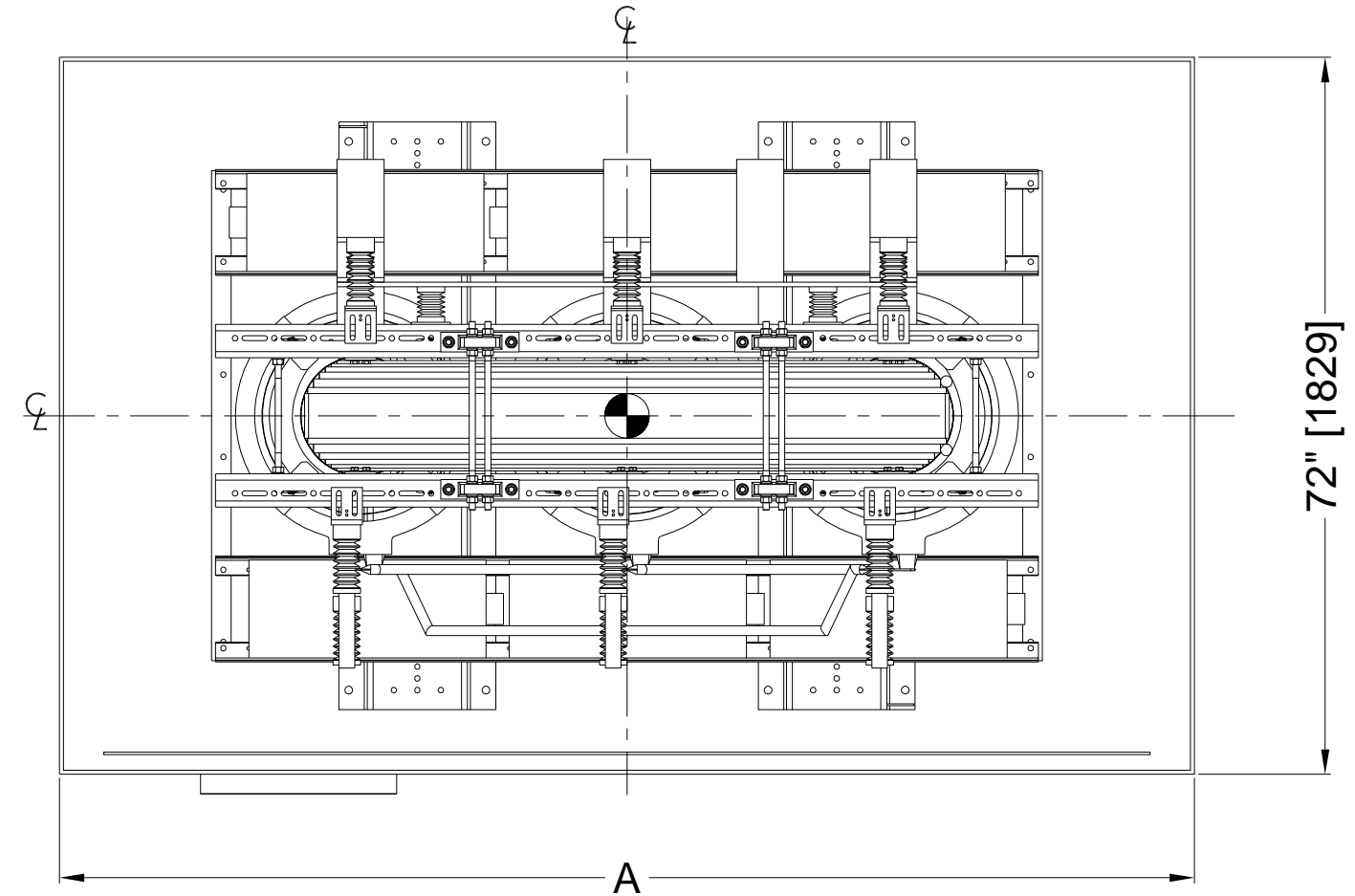


LV TERMINAL(X0-X3)

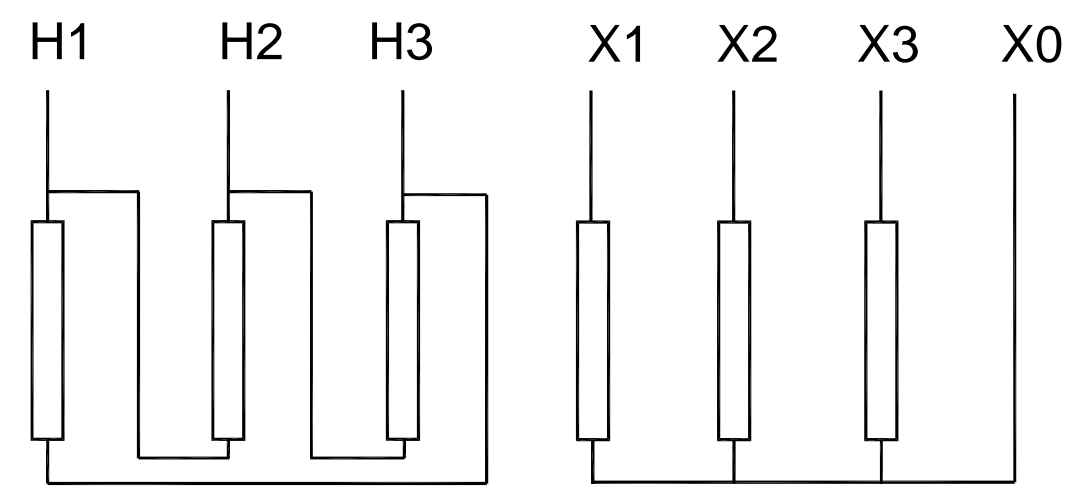


LIFTING LUG

Rated (kVA)	Dimension(in/mm)											LBS/KG	
	A	B	C	D	E	F	G	H	δ	I	J	W1	W2
500/665	96"[2438]	19.9"[505]	33"[838]	55"[1397]	50"[1270]	23.4"[595]	23.7"[602]	3.15"[80]	0.24"[6]	Ø1.97"[Ø50]	38"[965]	4550/2065	6490/2950
1000/1330	96"[2438]	24"[610]	35"[889]	56"[1422]	53"[1346]	24.4"[620]	24.7"[627]	3.15"[80]	0.39"[10]	Ø1.97"[Ø50]	38"[965]	8065/3660	10005/4540
2000/2660	114"[2896]	26.8"[680]	40"[1016]	71"[1803]	68"[1727]	25.4"[645]	25.7"[654]	5.91"[150]	0.47"[12]	Ø1.97"[Ø50]	47"[1194]	14200/6440	16390/7440
3000/3990	126"[3200]	30.1"[765]	42"[1067]	71"[1803]	68"[1727]	34.4"[874]	27.7"[704]	5.91"[150]	0.59"[15]	Ø2.76"[Ø70]	53"[1346]	17800/8075	20150/9140



TOP PLAN VIEW



TAP	VOLTAGE	CONNECTIONS	FIGURE
A	14490	3 - 4	
B	14145	2 - 4	
C	13800	2 - 5	
D	13455	1 - 5	
E	13110	1 - 6	

ITEM	QTY.	DESCRIPTION	REFERENCE
8	6	COOLING FAN	
7	1	ENCLOSURE	
6	1	GROUND BUS	
5	4	LV TERMINAL	
4	1	JUNCTION BOX (JB)	
3	3	HV TERMINAL	
2	3	HV TAPS	
1	4	LIFTING LUG	

STANDARD: IEEE Std C57.12.01, IEC 60076-11			
KVA: Rated	13800	COOLING CLASS:	AA / FA
HV. 13800 V D		B.I.L. 95 kV	34 kV AC
LV. 480 V Y		B.I.L. 30 kV	4 kV AC
PHASE: 3		FREQUENCY:	60 Hz
INSULATION SYSTEM: 185°C(365°F)		TEMPERATURE RISE: 80°C(176°F)	
HV TAPS:	±5%, 2.5% EACH STEP		
CONNECTION:	Dyn1		
IMPEDANCE:	5.75% based on Rated kVA (Tolerance: +/-7.5%)		
APPROX. WEIGHT	TRANSFORMER:	W1	
	TRANSFORMER WITH ENCLOSURE:	W2	

JINPAN INTERNATIONAL USA LIMITED
390 VETERANS BOULEVARD *
CARLSTADT, NJ, 07072 *

CAST COIL DRY-TYPE TRANSFORMER
13.8 KV PRIMARY AND 0.48 KV SECONDARY

OUTLINE DRAWING

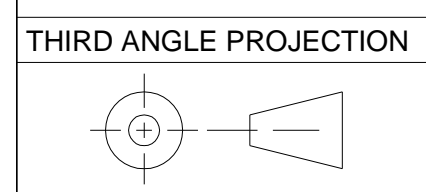
DWG NO: 13.8-0.48-NEMA 1-CABLE		
SIGNATURES	DATE	SCALE: NONE
DRAWN: M.Song	Sep 15, 2017	REV.: A
CHECKED: R.Mao	Sep 15, 2017	SHEET: 2 of 3
APPROVED: P.Wan	Sep 15, 2017	

D

C

B

A



D

C

B

A

SIZE DWG NO.

13.8-0.48-NEMA 1-CABLE

SH 2

REV. A

TO

8

7

6

5

4

1

THIS DRAWING IS FOR REFERENCE ONLY,
JINPAN RESERVE THE RIGHT TO ADJUST
PARAMETER IF NECESSARY.

D

D

C

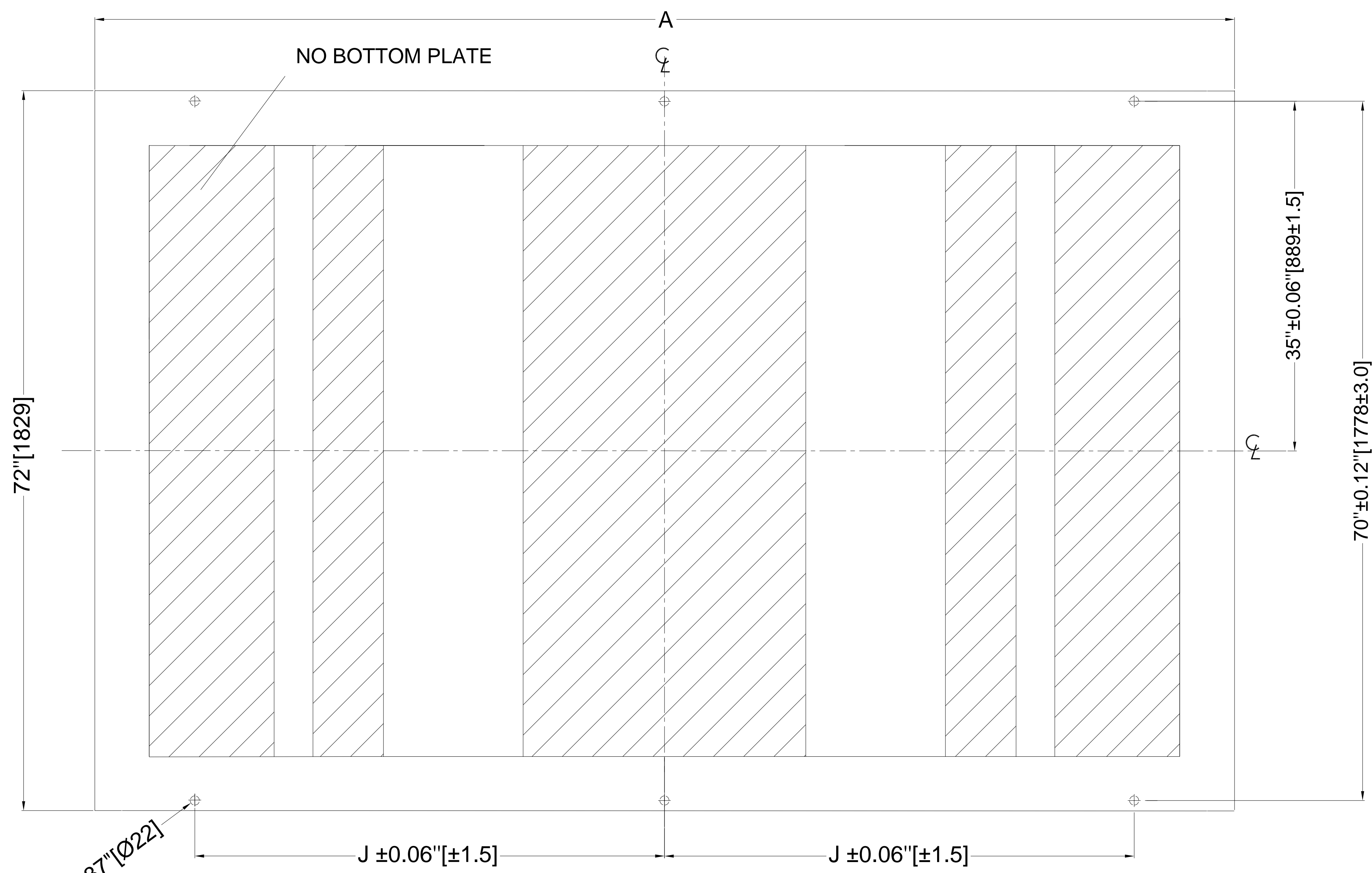
C

B

B

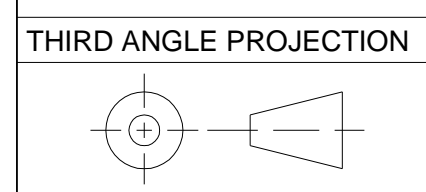
A

A



MOUNTING HOLES 6-Ø0.87"[Ø22]

FRONT SIDE
FOUNDATION PLAN



8

7

6

5

4

3

2

1

JINPAN INTERNATIONAL USA LIMITED		* 390 VETERANS BOULEVARD *	
		* CARLSTADT, NJ, 07072 *	
CAST COIL DRY-TYPE TRANSFORMER			
13.8 KV PRIMARY AND 0.48 KV SECONDARY			
OUTLINE DRAWING			
DWG NO:		13.8-0.48-NEMA 1-CABLE	
SIGNATURES		DATE	
DRAWN: M.Song	Sep 15, 2017	SCALE: NONE	
CHECKED: R.Mao	Sep 15, 2017	REV.: A	
APPROVED: P.Wan	Sep 15, 2017	SHEET: 3 of 3	